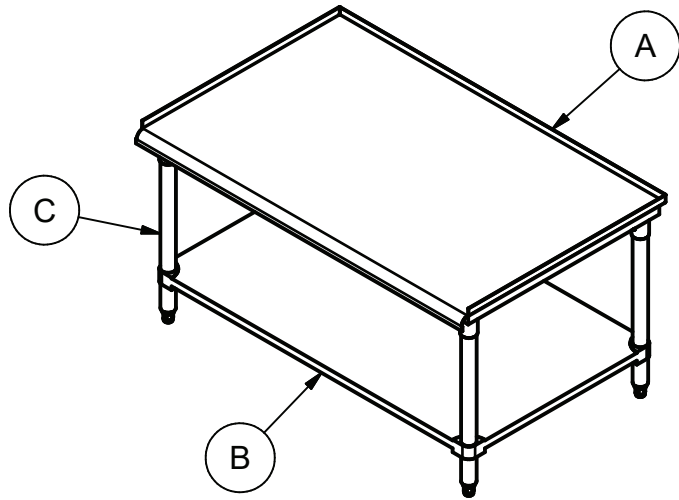


Equipment Stands

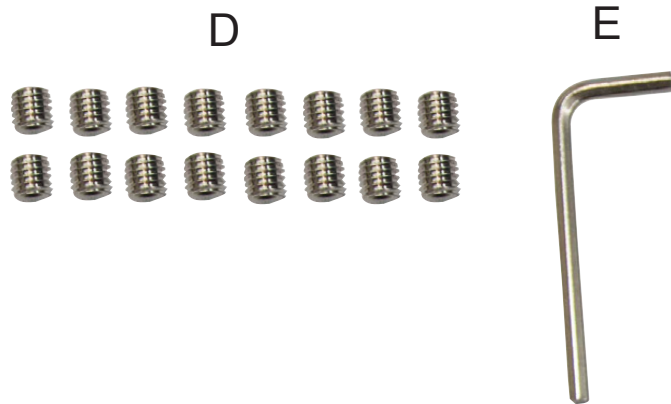
ASSEMBLY INSTRUCTIONS EQUIPMENT STANDS

250508 30"W x 25"D x 24"H
 250509 30"W x 37"D x 24"H
 250510 24"W x 24"D x 20"H



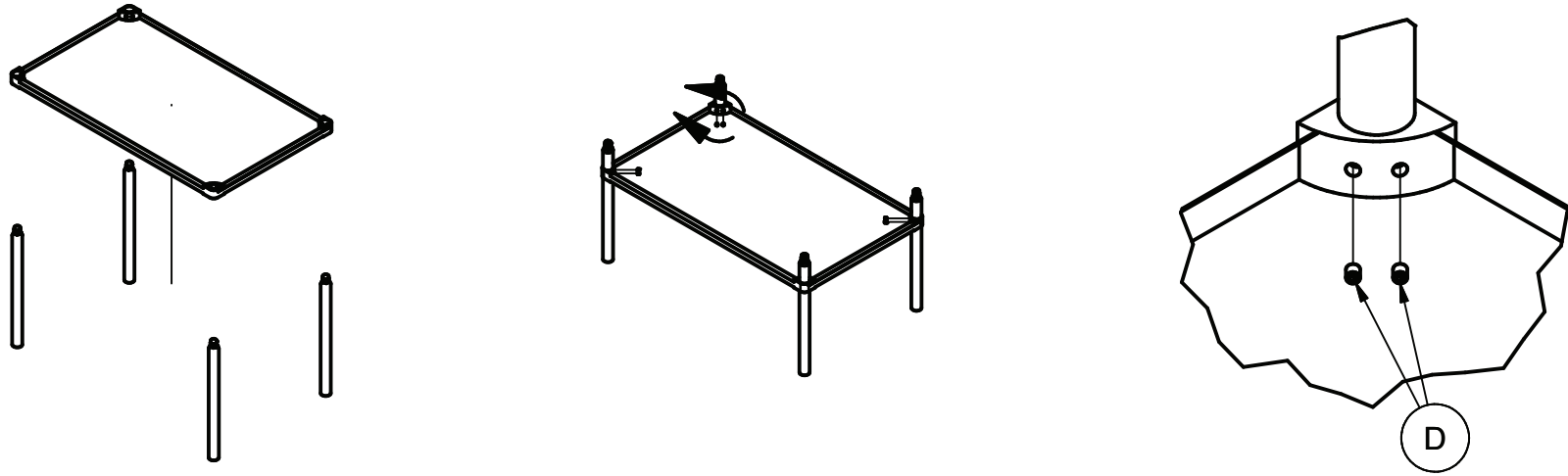
PARTS INCLUDED		
Item	Item #	Qty
A	Top	1
B	Shelf	1
C	Leg	*4

HARDWARE INCLUDED			
Item	Item #	Qty	Description
D	Set Screw	**16	M8 x 8mm Allen Set Screws
E	Allen Wrench	1	4mm Allen Wrench



Turn over page for step by step instructions

1. Confirm all parts/hardware are included
2. Determine the height that you wish the shelf to be placed at and measure that distance up on each leg. If you wish to change the height, the shelf may be adjusted after installation. Once the shelf is in its proper location, tighten in place with set screws and allen wrench that are provided. **Note: Install one leg at a time**



3. Turn table top upside down on a clean surface to avoid scratching. Assistance will be needed. Place legs into leg sockets and tighten the set screws, as was done on the shelf. Once all the screws are properly tightened, the table is ready to be flipped right side up. Once right side up, if needed, adjust feet to level the table.

