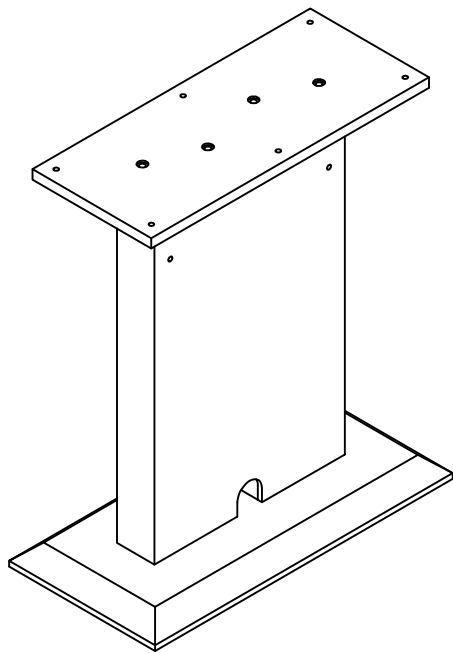






Sterling Series™
Conference Table Leg
Model No. STECB

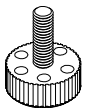
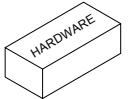


ASSEMBLY INSTRUCTIONS

CALL 1-800-822-8037 FOR ASSISTANCE

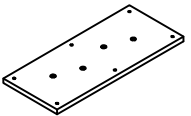
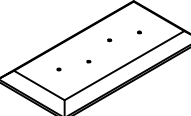
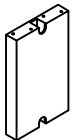
PARTS LIST

Name	Part	Qty.	Spare Qty
A	 REALS614 M8 x 35mm	4	1
B	 REALS615 M8 x 55mm	4	1

Name	Part	Qty.	Spare Qty
C	 REALS425 Leveler	4	
	 STECBHB		

Items with HB are in hardware box.

PARTS LIST

Name	Part	Qty.	Name	Part	Qty.
D	 STECBE** Top	1	F	 STECBG** Bottom Panel	1
E	 STECBF** Center Panel	1			

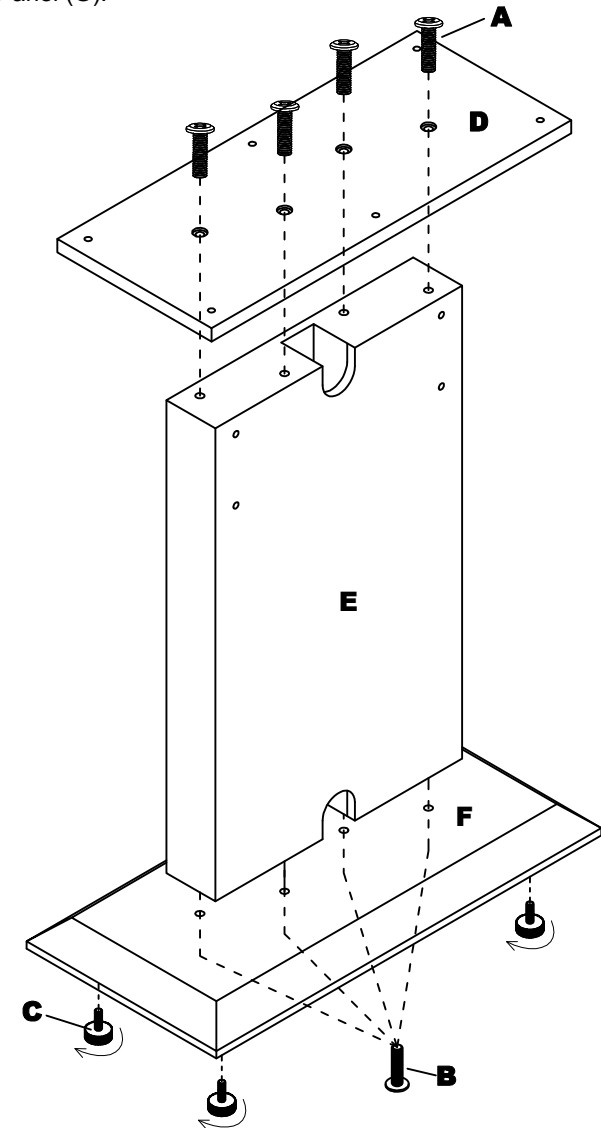
IMPORTANT!

Review ALL instructions before beginning assembly. These instructions are provided to avoid problems that may occur from improper assembly or installation. Mayline and/or its distributor are not responsible for failure resulting from improper assembly or installation of this product. Moreover, all warranties are void for failure to follow these assembly instructions.

**Denotes Color Code

2

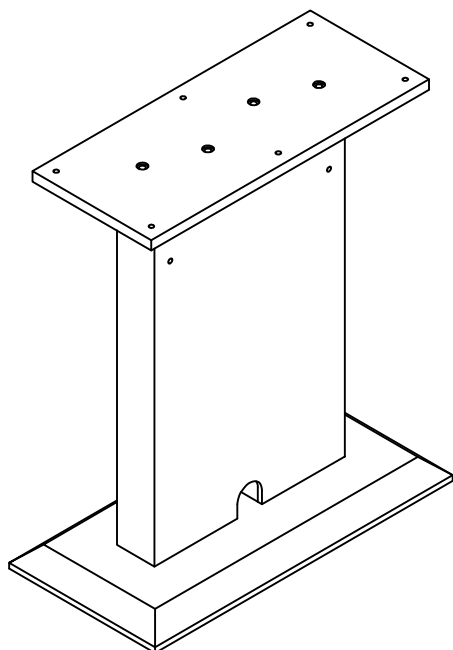
- 1** Install Top (E) to the Upper side of Center Panel (F) using Screws (B). Install Bottom Panel (G) to the Underside of Center Panel (F) using Screws (C). Install Levelers (D) into threaded inserts in underside of Bottom Panel (G).



3





Sterling Series™
Conference Table, Center Base
Model No. STECAB

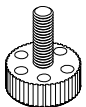
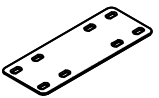
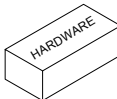


ASSEMBLY INSTRUCTIONS

CALL 1-800-822-8037 FOR ASSISTANCE

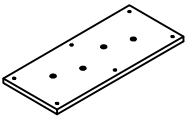
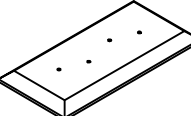
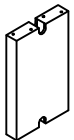
PARTS LIST

Name	Part	Qty.	Spare Qty
A	 REALS614 M8 x 35mm	4	1
B	 REALS615 M8 x 55mm	4	1

Name	Part	Qty.	Spare Qty
C	 REALS425 Leveler	4	
D	 REALS036 Mntg Plate	2	
	 STECABHB		

Items with HB are in hardware box.

PARTS LIST

Name	Part	Qty.	Name	Part	Qty.
G	 STECBE** Top	1	I	 STECBG** Bottom Panel	1
H	 STECABH** Center Panel	1			

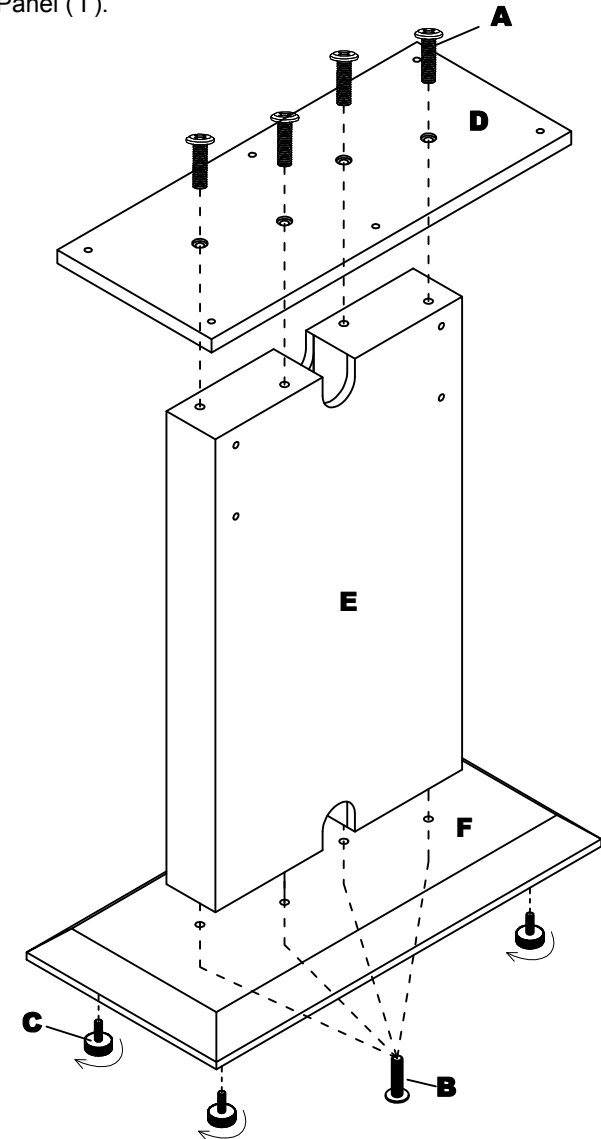
IMPORTANT!

Review ALL instructions before beginning assembly. These instructions are provided to avoid problems that may occur from improper assembly or installation. Mayline and/or its distributor are not responsible for failure resulting from improper assembly or installation of this product. Moreover, all warranties are void for failure to follow these assembly instructions.

**Denotes Color Code

2

- 1** Install Top (G) to the Upper side of Center Panel (H) using Screws (B). Install Bottom Panel (I) to the Underside of Center Panel (H) using Screws (C). Install Levelers (D) into threaded inserts in underside of Bottom Panel (I).



3