

PRODUCT SPECIFICATIONS ■

Ruckus™ Desks

June 2017

TECHNICAL SPECIFICATIONS

Note: Desks are not to be stacked or nested together.

Fixed-Height Desk – Single-Post Cantilever

Frames are constructed with 2" and 1 1/4" by 14-gauge steel tubing welded to a 7-gauge steel plate. Frame shall be nickel-chrome plated or finished in powder-coat paint after all welding processes are complete. The 1 1/4" horizontal tubing is capped with a plastic plug (offered in black only).

Pneumatic Adjustable Height Desk – Single-Post Cantilever

The top of the worksurface adjusts between 27 1/4" and 41 1/2" from the floor by activating a pneumatic cylinder using a lever located on the non-user side of the worksurface.

The desk base consists of a lower frame weldment and adjustable upper column assembly. The lower frame is constructed with 2" and 1 1/4" by 14-gauge steel tubing and can be nickel-chrome plated or finished in powder-coat paint after all welding processes are complete. The 1 1/4" horizontal tubing is capped with a plastic plug (offered in black only).

The adjustable upper column assembly is constructed of a 3" diameter aluminum extrusion and is capped using a black cast zinc flange attached by six, 1/4"-20 x 1 1/2" screws. The upper column assembly is finished in powder-coat paint. Nickel-chrome plating is not available on the upper column assembly. Upper assembly will be painted Starlight Silver when nickel-chrome plating is specified for the lower frame.

The worksurface is attached to the flange using five, #12 x 7/8" wood screws. Product is shipped fully assembled, one unit per carton.

The pneumatic cylinder includes a locking feature to prevent vertical movement when any force is applied to the worksurface and the cylinder is not actuated.

The weight capacity is less than 15 lbs. Capacity represents the total amount of weight the cylinder can lift without assistance from the user.

Set Screw Adjustable Height Desk – Single-Post Cantilever

The top of the worksurface adjusts between 27 1/4" and 41 1/2" from the floor by locking with a 1/4"-20 x 1 1/2" dog point set screw in 1" increments.

The desk base consists of a lower frame weldment and adjustable upper column assembly. The lower frame is constructed with 2" and 1 1/4" by 14-gauge steel tubing and can be nickel-chrome plated or finished in powder-coat paint after all welding processes are complete. 1 1/4" horizontal tubing is capped with a plastic plug (offered in black only).

The adjustable upper column assembly is constructed of a 3" diameter aluminum extrusion and is capped using a black cast zinc flange attached by six, 1/4"-20 x 1 1/2" screws. The upper column assembly is finished in powder-coat paint. Nickel-chrome plating is not available on the upper column assembly. Upper assembly will be painted Starlight Silver when nickel-chrome plating is specified for the lower frame.

The worksurface is attached to the flange using five, #12 x 7/8" wood screws. Product is shipped fully assembled, one unit per carton.

Rolling Base Model (wheelbarrow)

Rolling base model includes two rollers located on the non-user side of the frame, with two swivel glides located on the user side for ease of mobility. Roller will be constructed of a two-piece molded polycarbonate housing with steel axle, supporting a 1 1/4" diameter wheel constructed of high impact styrene and secured to base frame with a 1/4"-20 x 5/8" screw. Cantilever frame will include cutouts to encapsulate roller assembly. Roller assembly is offered in black only. Swivel-type glides are polished zinc-plated steel with nylon plastic, or felt feet surfaces. KI recommends consulting with the floor manufacturer for specific glide recommendations. **Note:** Felt glides increase product height by 1/4".

Top

Worksurface top consists of high-density particleboard core covered with .030" high-pressure laminate top and a .020" phenolic backing sheet and 73P polypropylene edge with a finished top thickness of 13/16". Worksurface includes a curved front comfort curve on user side and 2 3/8" radius corners. Worksurface measures 20" x 30".



TECHNICAL SPECIFICATIONS (cont.)

Glides

Swivel-type glides are polished zinc-plated steel with nylon plastic, or felt feet surfaces. KI recommends consulting with the floor manufacturer for specific glide recommendations. **Note:** Felt glides increase product height by $\frac{1}{4}$ ".

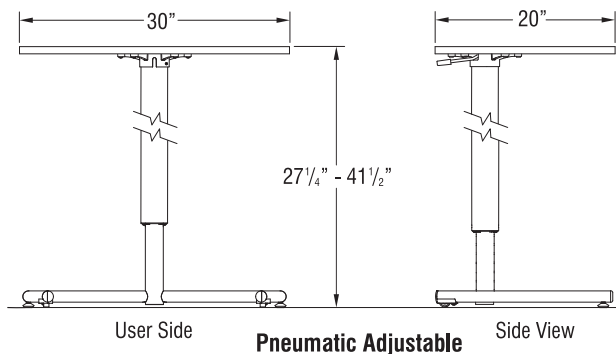
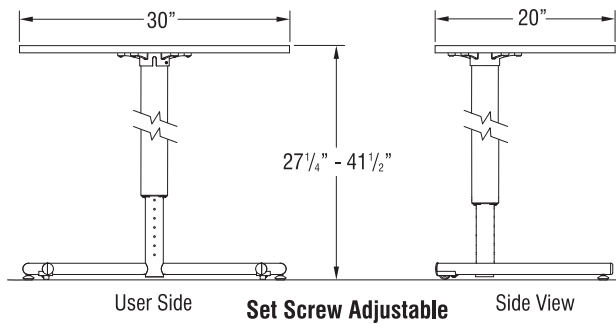
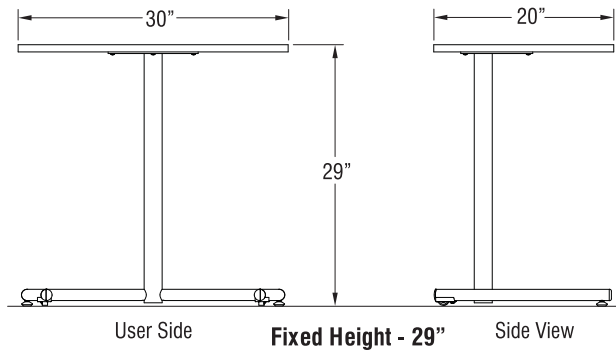
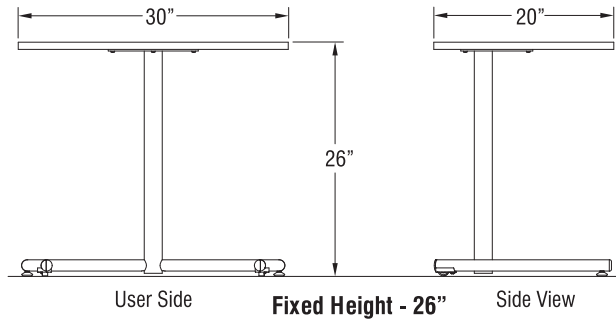
Book Bag Hook

Optional book bag hook is formed from $\frac{1}{4}$ " solid wire rod. Chrome finish provides long lasting wear resistance. Hook fastens to underside of laminate top with two # 12 x $\frac{3}{4}$ " Phillips pan-head screws.

Testing

Ruckus desking components originate from ISO 9000, ISO 9001 or ISO 9002 registered facilities. Ruckus desking is designed and manufactured to meet or exceed required ANSI/BIFMA X5.5-2014 Desking.

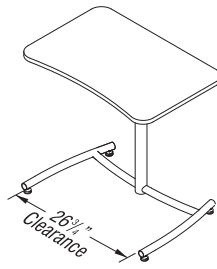
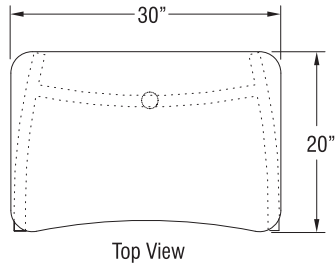
DIMENSIONS



CODE COMPLIANCE



DIMENSIONS (cont.)

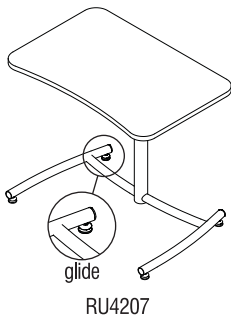


CODE COMPLIANCE

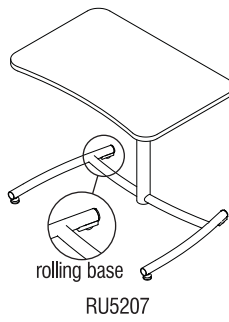


STATEMENT OF LINE

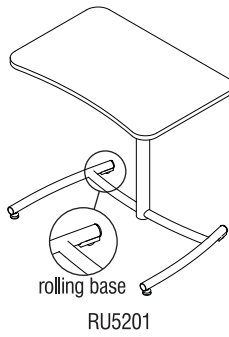
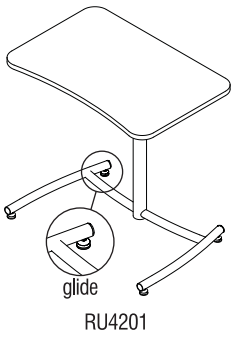
26" Desk



29" Desk



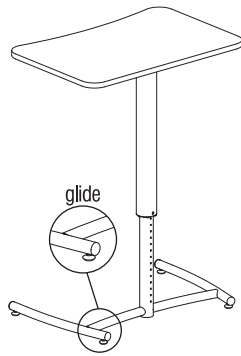
Fixed Height - 26"



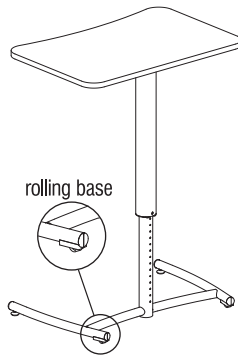
Fixed Height - 29"

26" Desk

29" Desk

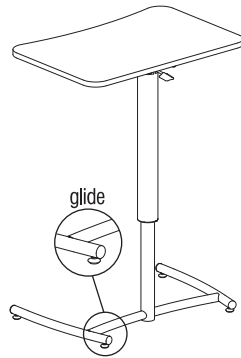


RUD20A

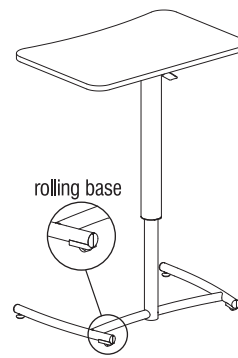


RUE20A

Set Screw Adjustable



RUY20E



RUZ20E

Pneumatic Adjustable