

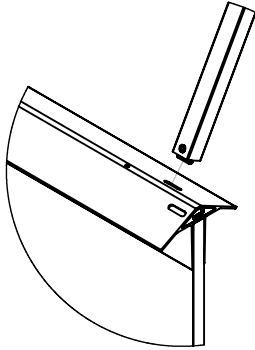
Roam

Instruction Sheet

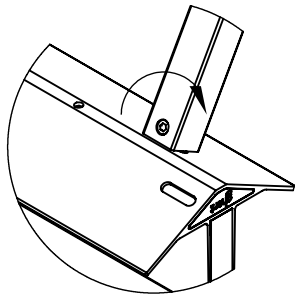
Step 1: Install the supplied nuts to each caster. Install casters into the bottom of each leg. Thread casters into the insert located at the bottom of each leg assembly. Thread each nut tightly to the leg to insure a secure fit.



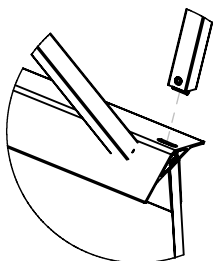
Step 3: Install the inner legs first. (note: Legs need to be centered within the mounting channel for a tight & secure fit.)



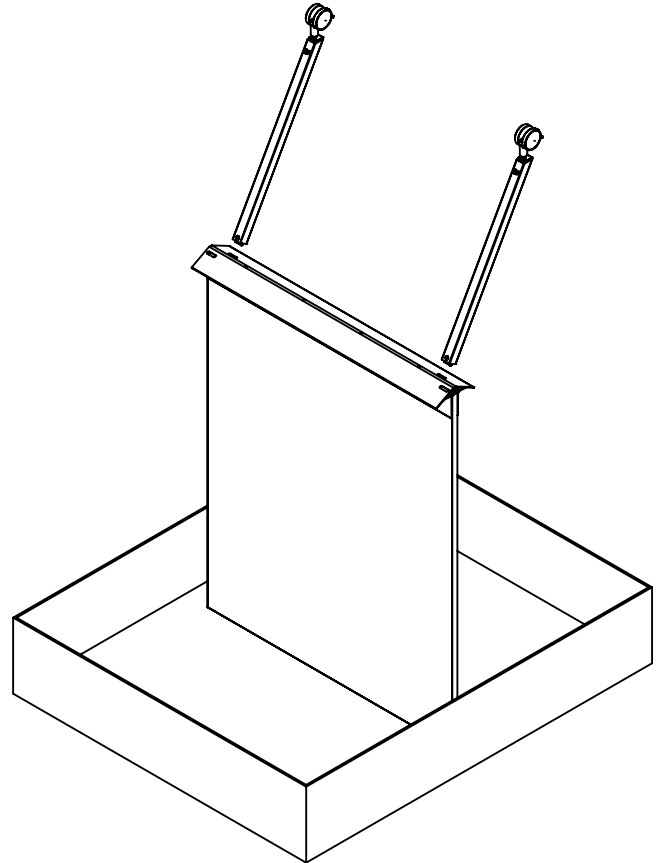
Step 4: Use the included wrench to tighten the socket screw on the inside face of the leg. The screw must be completely tightened for a secure leg connection.



Step 5: Attach the outer legs, centering the leg inside the mounting channel. Tighten the socket screws down to secure the legs.



Step 2: After installing your casters you will attach the Roam legs to the board. Place the board upside down on a soft/clean surface.



Step 6: Once all the legs are securely attached, turn your board back rightside up

