

PRODUCT SPECIFICATIONS ■

Pillar® Table

March 2017

Worksurfaces

Standard worksurface tops are nominal 1 1/4" overall thickness with .030" thick high-pressure laminate top surface and .028" phenolic backer (bottom surface). The density of the core in standard tops is 45 lb/cu ft. particleboard, M3 grade. The Pillar Table is available with the 2mm (74P) edge.

Leg Assembly

Leg assemblies come in two variations to accommodate two overall table heights: 29" standard and 42" standing height depending on the table shape. The leg construction consist of a 2 1/4" O.D., 14-gauge steel tubing welded to a 1/4" thick 8" x 8" steel plate. There is a 1/4" thick steel insert welded in the bottom of each leg tube with a 1/2"-13 UNC threaded hole where the casters or glides attach. The legs are attached to the worksurface using #12 x 1" screws. Casters and glides are shipped in separate cartons and need to be installed upon assembly of the table.

Casters and Glides

Each table includes either casters or glides. Each caster table includes a set of wheel locking and non-locking casters. Casters are made of molded nylon and come in two colors. Glides are black nylon, overmolded on a steel insert for strength. Glides and casters are not interchangeable without changing the table height. Caster wheels are a minimum of 2 7/16" (63mm) diameter. Caster wheel treads are a medium hard (75 max Shore A) for easy mobility on carpet or hard floors. Glides have a smooth bottom surface for mobility. Glides have a height adjustment range of 1" to allow for uneven surfaces.

Ganging Mechanism

Molded of black, high-strength nylon, the hook and peg combination draws tables together back-to-back or side-by-side. No tools are required when joining tables. Gangers are self-storing under the table when not in use. Tops are pre-drilled for placement of ganging pegs. Two gangers, four pegs and all mounting screws are included in the kit. One kit per table joint is required. Field installed.

Vertical Leg Wire Management

A color matched extrusion made of aluminum "snaps" to the Pillar leg, managing cables and wires exiting PowerUp or standard grommets installed on the worksurface top. The extrusion is 12" long.

Under Table Wire Management

The under table wire manager is constructed of 2" x 4 1/2" Velcro hook and loop material with a looped pull tab. The wire manager is provided with adhesive backing and screws for attachment to the underside of the top. Tops are pre-drilled for locating wire manager, but the manager may be applied in any convenient location. One or two wire managers are included when power options are ordered. Field installed.

PowerUp® Power/Data Module

Some tables are available with one or two PowerUp power/data modules per table. On tables with one module, it is located centered within the top width. Modules are spaced 3" from the back edge on 24" and 30" deep tops, and centered (front to back) on 36", 42" & 48" deep tops. Some larger conference style tables are available with two modules. They are located along the centerline of the table depth (front to back) and approximately 23" to 35" from the side edge of the top depending on the top width. The PowerUp Module is a UL listed Relocatable Power Tap which mounts flush into the table top. The module is 3 1/4" wide by 7" long and 2 1/4" tall when opened. It is provided with either a 9ft. or 15ft., three conductor power cord, rated 120VAC, 15A. When open, one duplex power receptacle and two RJ45 data connectors are exposed. The module can be adapted to accept various brand jacks.



Villa™ Power Module

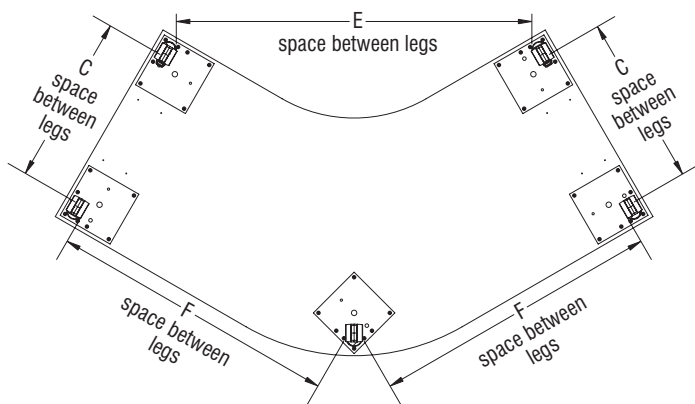
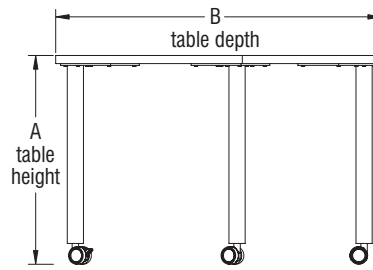
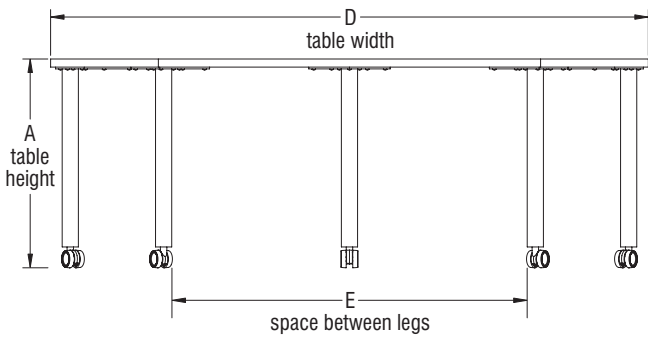
Some tables are available with one or two Villa power modules per table. On tables with one module, it is located centered within the width. Modules are spaced 3" from the back edge on 24" and 30" deep tops, and centered (front to back) on 36", 42" & 48" deep tops. Some larger conference style tables are available with two modules. They are located along the centerline depth of the top (front to back) and approximately 23" to 35" from the edge of the top, depending on the top's width. The Villa is a UL listed Relocatable Power Tap which mounts flush into the table top. The module is 3 1/2" wide by 6 3/4" long and 2" tall when opened. It is provided with either a 9ft or 15ft, three conductor power cord, rated 120VAC, 15A. When open, one duplex power receptacle and two RJ45 data connectors are exposed. The module can be adapted to accept various brand jacks.

Worksurface Grommet

The Pillar grommet is constructed of ABS plastic, which mounts flush into the top of the worksurface. On tables with one grommet, it is located centered within the width. Grommets are spaced 3" from the back edge on 24" and 30" deep tops, and centered (front to back) on 36", 42" & 48" deep tops. Some larger conference style tables are available with two grommets. They are located along the centerline depth of the top (front to back) and approximately 23" to 35" from the edge of the top, depending on the top's width. Grommets have a flip-up receding door and are identical in size to the PowerUp Module to allow for retrofitting of PowerUp at a later date. When the flip-up door is closed, the available opening for power or data cords is 1/2" wide by 5 3/4" long. Open door available space is 2 1/4" x 5 3/4". Grommets are available in a variety of colors. Field installed.

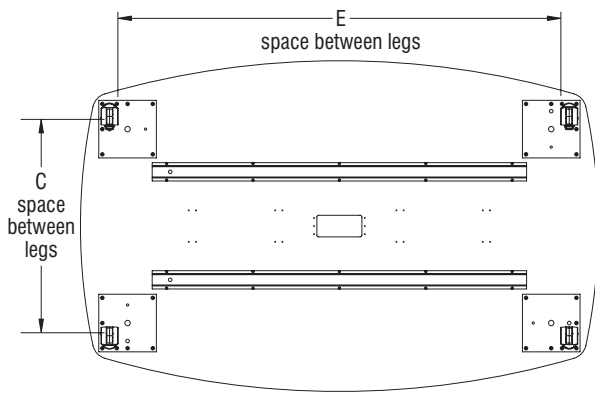
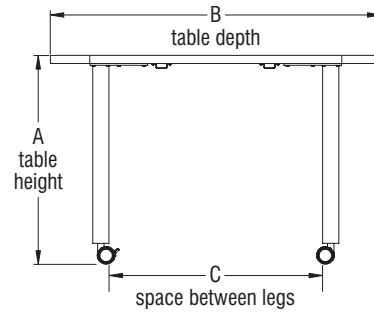
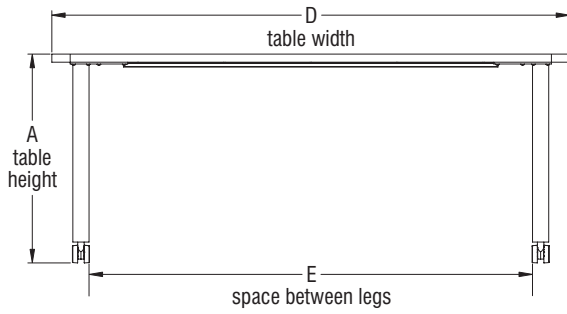
Dimensions - 120° Table (29" & 42" High)

Table Dimension	A	B	C	D	E	F
24" x 36"	29"/42"	34.05"	17.68"	62.23"	34.59"	28.15"
30" x 48"	29"/42"	45.24"	23.83"	83.02"	49.37"	40.15"



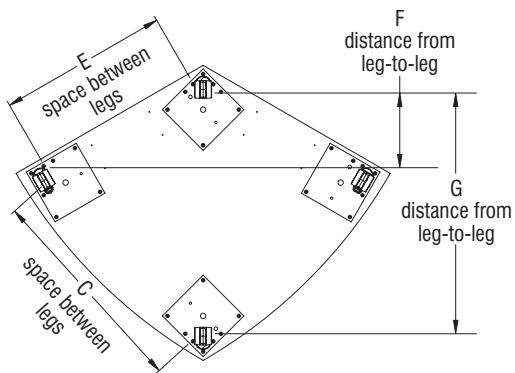
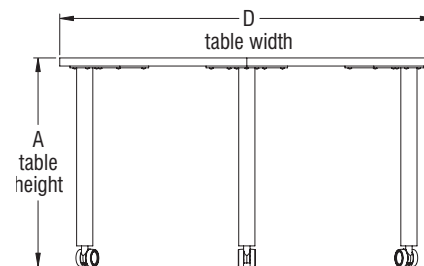
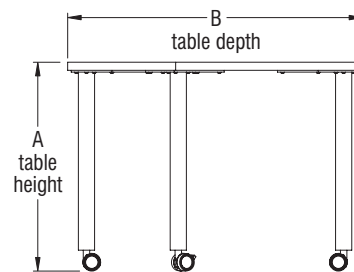
Dimensions - Boat Table (29" High)

Table Dimension	A	B	C	D	E
30" x 60"	29"	39.93"	23.68"	59.93"	50.85"
30" x 66"	29"	39.93"	23.68"	65.93"	56.85"
30" x 72"	29"	39.93"	23.68"	71.93"	62.86"
36" x 60"	29"	45.93"	29.68"	59.93"	49.59"
36" x 66"	29"	45.93"	29.68"	65.93"	55.59"
36" x 72"	29"	45.93"	29.68"	71.93"	61.59"
42" x 72"	29"	51.93"	35.68"	71.93"	60.09"



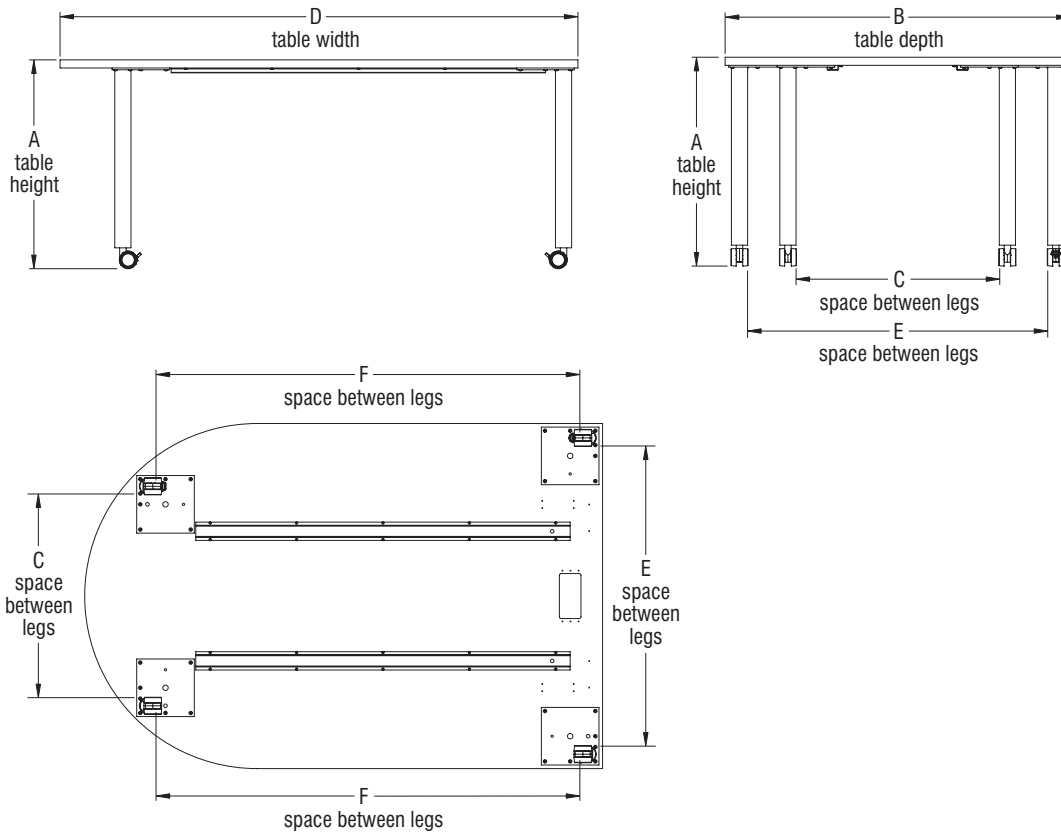
Dimensions - Diamond Table (29" High)

Table Size	A	B	C	D	E	F	G
30"	29"	40.98"	29.95"	51.96"	23.62"	12.39"	33.22"
36"	29"	49.17"	35.99"	62.35"	29.56"	15.39"	41.41"



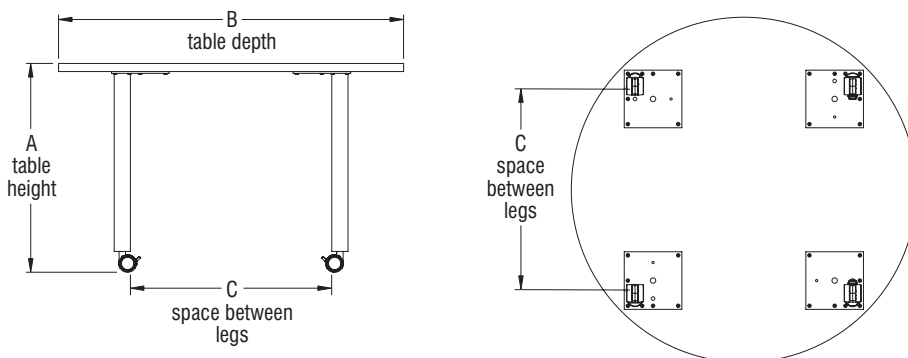
Dimensions - D-Shape Table (29" & 42" High)

Table Dimension	A	B	C	D	E	F
42" x 60"	29"/42"	41.93"	23.98"	59.93"	28.23"	47.83"
42" x 72"	29"/42"	41.93"	23.98"	71.93"	35.68"	59.83"
48" x 60"	29"/42"	47.93"	28.23"	59.93"	41.68"	46.95"
48" x 72"	29"/42"	47.93"	28.23"	71.93"	41.68"	58.95"



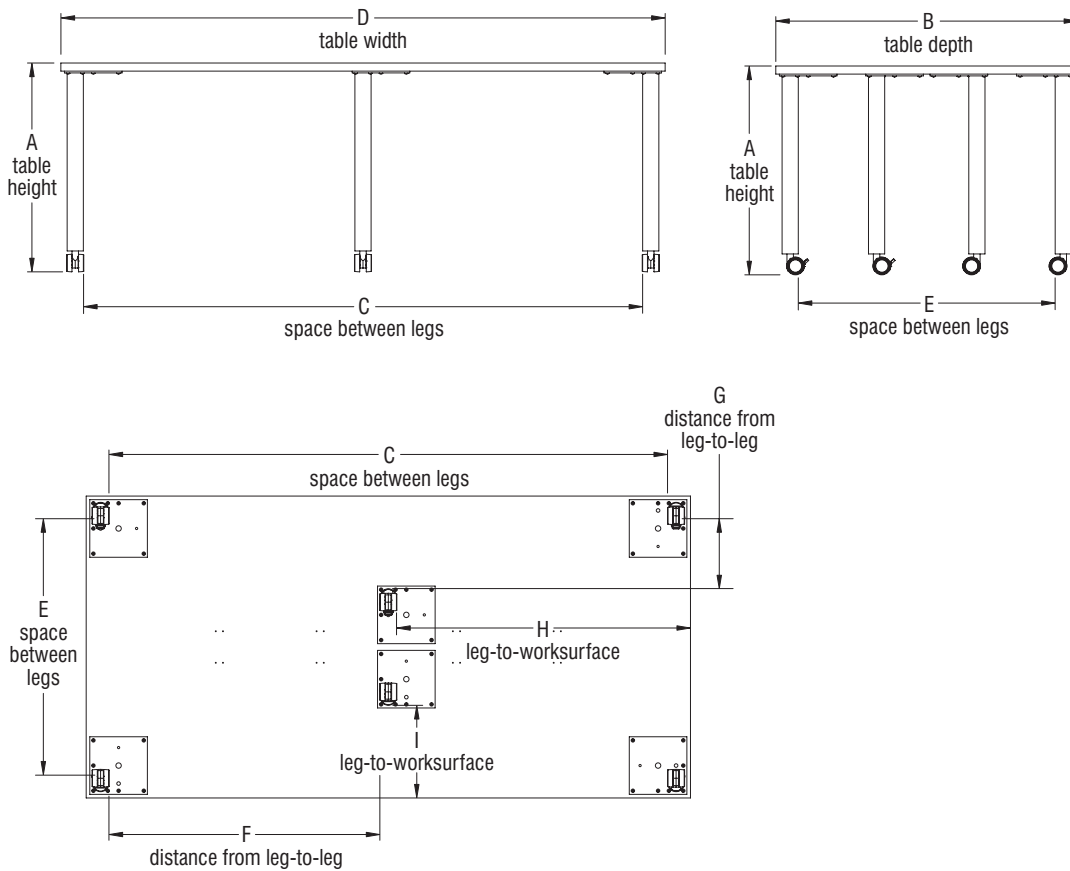
Dimensions - Round Table (29" & 42" High)

Table Size	A	B	C
36"	29"/42"	35.93"	19.49"
42"	29"/42"	41.93"	23.73"
48"	29"/42"	47.93"	27.97"
60"	29"/42"	59.93"	36.46"



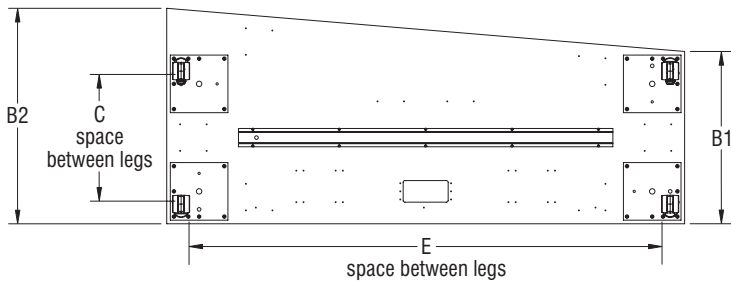
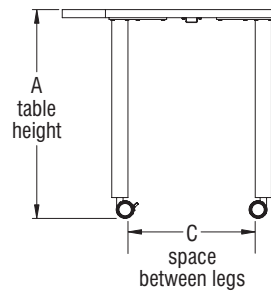
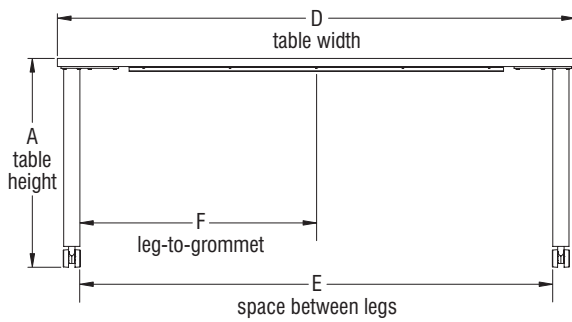
Dimensions - Large Rectangular Table (29" High)

Table Dimension	A	B	C	D	E	F	G	H	I
42" x 72"	29"	41.93"	65.68"	71.93"	35.68"	31.72"	9.75"	34.85"	12.88"
42" x 84"	29"	41.93"	77.68"	83.93"	35.68"	37.72"	9.75"	40.85"	12.88"
42" x 96"	29"	41.93"	89.68"	95.93"	35.68"	43.72"	9.75"	46.85"	12.88"
48" x 72"	29"	47.93"	65.68"	71.93"	41.68"	31.72"	9.75"	34.85"	12.88"
48" x 84"	29"	47.93"	77.68"	83.93"	41.68"	37.72"	9.75"	40.85"	12.88"
48" x 96"	29"	47.93"	89.68"	95.93"	41.68"	43.72"	9.75"	46.85"	12.88"



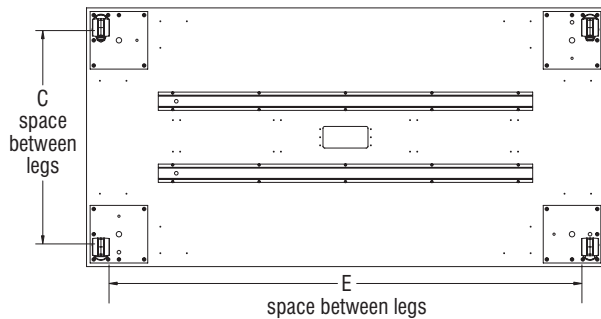
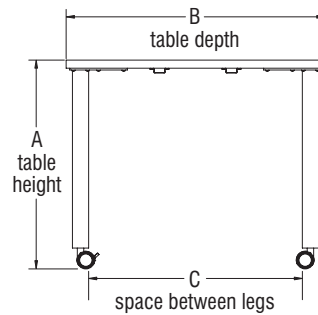
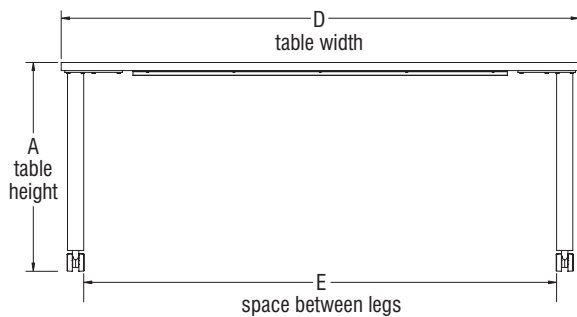
Dimensions - Reduction Table (29" & 42" High)

Table Dimension	A	B1	B2	C	D	E	F
24" x 36" x 30"	29"/42"	23.93"	29.93"	17.68"	35.93"	29.68"	14.84"
24" x 48" x 30"	29"/42"	23.93"	29.93"	17.68"	47.93"	41.68"	20.84"
24" x 60" x 30"	29"/42"	23.93"	29.93"	17.68"	59.93"	53.68"	26.84"
24" x 72" x 30"	29"/42"	23.93"	29.93"	17.68"	71.93"	65.68"	32.84"
30" x 36" x 24"	29"/42"	29.93"	23.93"	17.68"	35.93"	29.68"	14.84"
30" x 48" x 24"	29"/42"	29.93"	23.93"	17.68"	47.93"	41.68"	20.84"
30" x 60" x 24"	29"/42"	29.93"	23.93"	17.68"	59.93"	53.68"	26.84"
30" x 72" x 24"	29"/42"	29.93"	23.93"	17.68"	71.93"	65.68"	32.84"
30" x 36" x 36"	29"/42"	29.93"	35.93"	23.68"	35.93"	29.68"	14.84"
30" x 48" x 36"	29"/42"	29.93"	35.93"	23.68"	47.93"	41.68"	20.84"
30" x 60" x 36"	29"/42"	29.93"	35.93"	23.68"	59.93"	53.68"	26.84"
30" x 72" x 36"	29"/42"	29.93"	35.93"	23.68"	71.93"	65.68"	32.84"
36" x 36" x 30"	29"/42"	35.93"	29.93"	23.68"	35.93"	29.68"	14.84"
36" x 48" x 30"	29"/42"	35.93"	29.93"	23.68"	47.93"	41.68"	20.84"
36" x 60" x 30"	29"/42"	35.93"	29.93"	23.68"	59.93"	53.68"	26.84"
36" x 72" x 30"	29"/42"	35.93"	29.93"	23.68"	71.93"	65.68"	32.84"



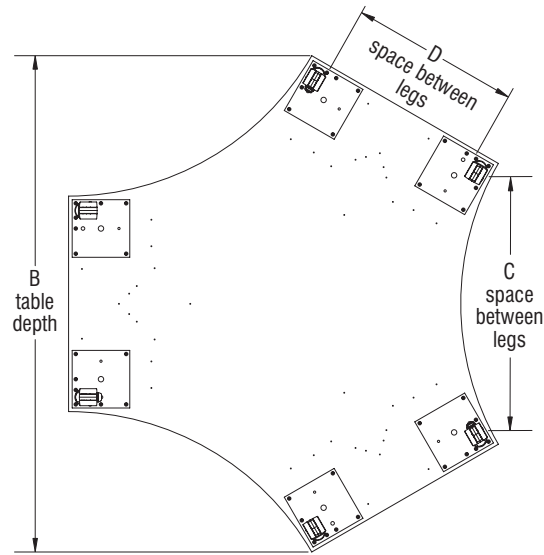
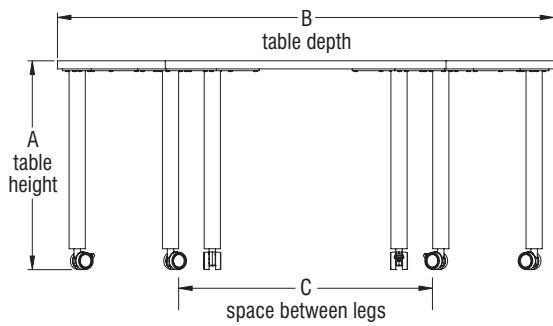
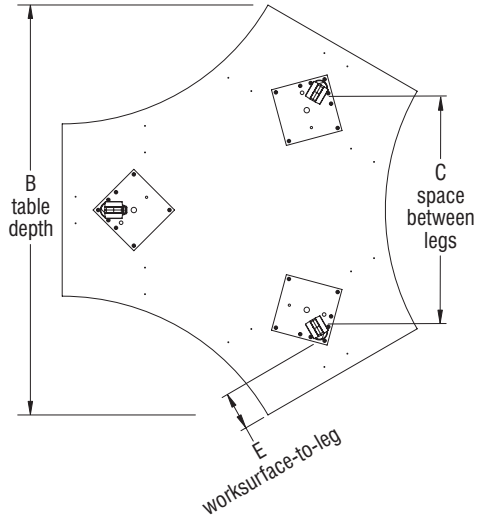
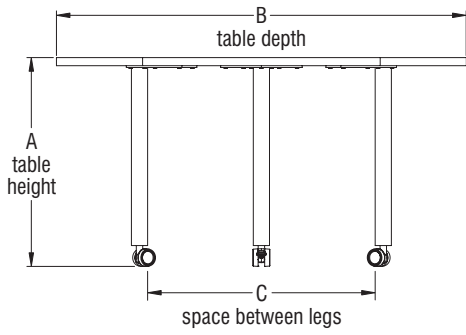
Dimensions - Rectangular Table (29" & 42" High)

Table Dimension	A	B	C	D	E
24" x 36"	29"/42"	23.93"	17.68"	35.93"	29.68"
24" x 42"	29"/42"	23.93"	17.68"	41.93"	35.68"
24" x 48"	29"/42"	23.93"	17.68"	47.93"	41.68"
24" x 54"	29"/42"	23.93"	17.68"	53.93"	47.68"
24" x 60"	29"/42"	23.93"	17.68"	59.93"	53.68"
24" x 66"	29"/42"	23.93"	17.68"	65.93"	59.68"
24" x 72"	29"/42"	23.93"	17.68"	71.93"	65.68"
30" x 36"	29"/42"	29.93"	23.68"	35.93"	29.68"
30" x 42"	29"/42"	29.93"	23.68"	41.93"	35.68"
30" x 48"	29"/42"	29.93"	23.68"	47.93"	41.68"
30" x 54"	29"/42"	29.93"	23.68"	53.93"	47.68"
30" x 60"	29"/42"	29.93"	23.68"	59.93"	53.68"
30" x 66"	29"/42"	29.93"	23.68"	65.93"	59.68"
30" x 72"	29"/42"	29.93"	23.68"	71.93"	65.68"
36" x 42"	29"/42"	35.93"	29.68"	41.93"	35.68"
36" x 48"	29"/42"	35.93"	29.68"	47.93"	41.68"
36" x 54"	29"/42"	35.93"	29.68"	53.93"	47.68"
36" x 60"	29"/42"	35.93"	29.68"	59.93"	53.68"
36" x 66"	29"/42"	35.93"	29.68"	65.93"	59.68"
36" x 72"	29"/42"	35.93"	29.68"	71.93"	65.68"
36" x 84"	29"/42"	35.93"	29.68"	83.93"	77.68"
36" x 96"	29"/42"	35.93"	29.68"	95.93"	89.68"



Dimensions - Sprocket Table (29" High)

Table Dimension	Posts	A	B	C	D	E
24"	3	29"	56.93"	31.68"		5.29"
30"	3	29"	68.93"	37.18"		7.29"
30"	6	29"	68.93"	35.59"	23.68"	



Dimensions - Square Table (29" & 42" High)

Table Size	A	B	C
36"	29"	35.93"	29.68"
42"	29"	35.93"	35.68"
48"	29"	47.93"	41.68"
60"	29"	59.93"	53.68"
36"	42"	35.93"	29.68"
42"	42"	35.93"	35.68"
48"	42"	47.93"	41.68"
60"	42"	59.93"	53.68"

