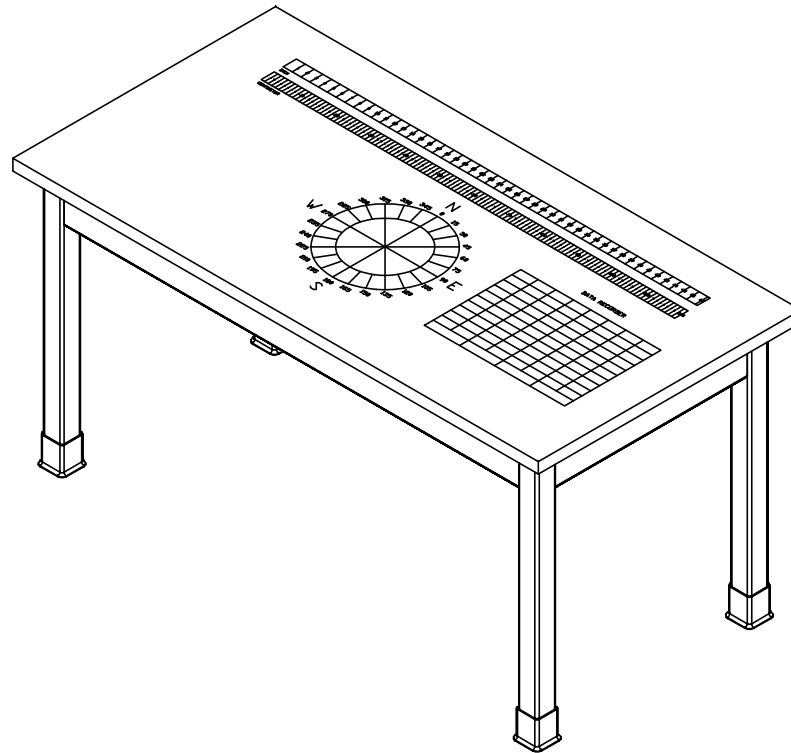


# IMPRINT DRY ERASE TABLE

P7149K30N, P7149M30N, P7209K30N, & P7209M30N SERIES TABLES  
 ASSEMBLY INSTRUCTIONS



**NOTE:**

1. MODEL VIEWS MAY NOT REPRESENT EXACT MODEL PURCHASED

DWN BY:	EMK	DWN DATE:	11/2/17
APR BY:		DATE APR:	
APR BY:		DATE APR:	

UNLESS OTHERWISE SPECIFIED  
 DIMENSION ARE IN INCHES  
 CABINET SQUARENESS ± .0625  
 FRACTIONAL VALUES ± 1/32"  
 - ALL VALUES ± OVERALL -



300 South Krueger Street  
 Suring, WI 54174  
 diversifiedwoodcrafts.com

TITLE:  
 IMPRINT DRY ERASE TABLE  
 ASSEMBLY INSTRUCTIONS

REV.	DESCRIPTION	DATE	NAME	ECN NO.
A	CREATED DRAWING	11/2/17	EMK	-

THIS DRAWING IS THE SOLE PROPERTY OF  
 DIVERSIFIED WOOD CRAFTS. IT MAY NOT  
 BE ALTERED OR CHANGED WITHOUT  
 PERMISSION

DRAWING NUMBER:	SCALE:	SHEET:	REVISION:
P7149K/M & P7209K/M	NTS	1 OF 6	REV A

### TOOLS REQUIRED

- 1/2" WRENCH
- 1/2" SOCKET AND TORQUE WRENCH - OPTIONAL

### ASSEMBLY COMPONENTS

ITEMS INCLUDED	PART #	PART DESCRIPTION	QTY
TOP AND APRON ASSEMBLY	N/A	TOP ASSEMBLY (FACTORY ASSEMBLED)	1
LEGS	VARIES	LEG, (OAK OR MAPLE) 2.25X2.25X28.25	4
LEG HARDWARE	520001-4	LEG HARDWARE KIT,4 LEGS	1
LEG BOOT	100076	LEG BOOT,BLK RUBBER	4

**NOTE:**

- 1.

DWN BY:	EMK	DWN DATE:	11/2/17
APR BY:		DATE APR:	
APR BY:		DATE APR:	

UNLESS OTHERWISE SPECIFIED  
DIMENSION ARE IN INCHES  
  
CABINET SQUARENESS ± .0625  
FRACTIONAL VALUES ± 1/32"  
- ALL VALUES ± OVERALL -



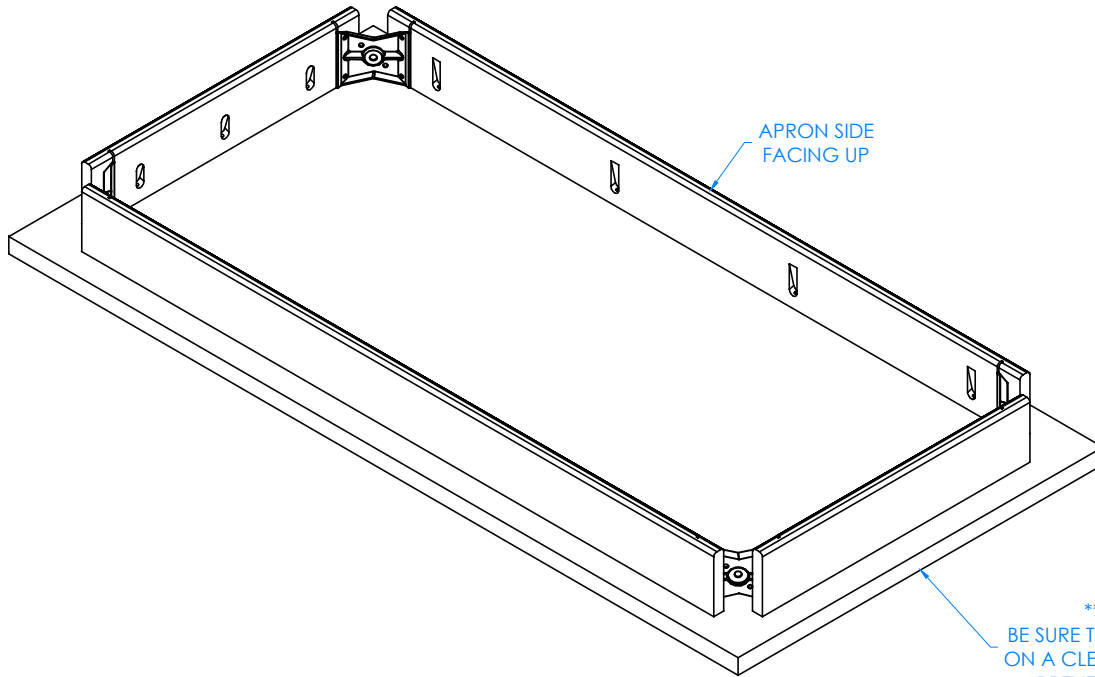
300 South Krueger Street  
Suring, WI 54174  
diversifiedwoodcrafts.com

TITLE:  
**IMPRINT DRY ERASE TABLE  
TOOLS AND ASSEMBLY COMPONENTS**

A	CREATED DRAWING	11/2/17	EMK	-
REV.	DESCRIPTION	DATE	NAME	ECN NO.

THIS DRAWING IS THE SOLE PROPERTY OF  
DIVERSIFIED WOOD CRAFTS. IT MAY NOT  
BE ALTERED OR CHANGED WITHOUT  
PERMISSION

DRAWING NUMBER: <b>P7149K/M &amp; P7209K/M</b>	SCALE: NTS	SHEET: 2 OF 6	REVISION: REV A
---	---------------	------------------	--------------------



APRON SIDE  
FACING UP

**\*\*NOTE\*\***  
BE SURE TOP ASSEMBLY IS  
ON A CLEAN SURFACE TO  
PREVENT DAMAGE

STEP 1:

- LAY TOP ASSEMBLY ON FLOOR WITH APRON SIDE FACING UP.

NOTE:

1.

DWN BY:	EMK	DWN DATE:	11/2/17
APR BY:		DATE APR:	
APR BY:		DATE APR:	

UNLESS OTHERWISE SPECIFIED  
DIMENSION ARE IN INCHES  
  
CABINET SQUARENESS ± .0625  
FRACTIONAL VALUES ± 1/32"  
- ALL VALUES ± OVERALL -



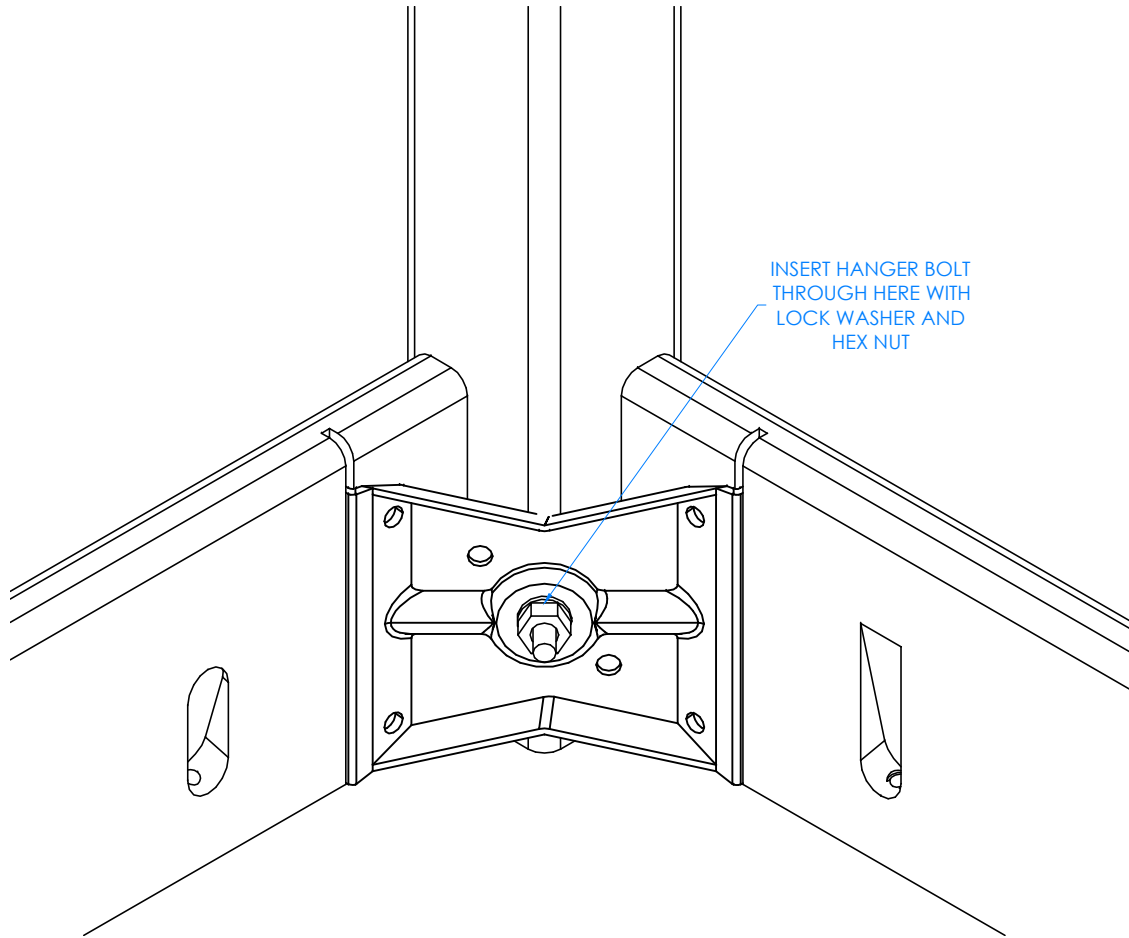
300 South Krueger Street  
Suring, WI 54174  
diversifiedwoodcrafts.com

TITLE:  
IMPRINT DRY ERASE TABLE  
ASSEMBLY INSTRUCTIONS

REV.	DESCRIPTION	DATE	NAME	ECN NO.
A	CREATED DRAWING	11/2/17	EMK	-
REVISION LEVEL				

THIS DRAWING IS THE SOLE PROPERTY OF  
DIVERSIFIED WOOD CRAFTS. IT MAY NOT  
BE ALTERED OR CHANGED WITHOUT  
PERMISSION

DRAWING NUMBER:	SCALE:	SHEET:	REVISION:
P7149K/M & P7209K/M	NTS	3 OF 6	REV A



INSERT HANGER BOLT THROUGH HERE WITH LOCK WASHER AND HEX NUT

STEP 2:

- INSERT HANGER BOLT ON ONE LEG THROUGH THE CORNER BRACKET AND INSERT LOCK WASHER AND HEX NUT.
- TIGHTEN NUT USING A 1/2" WRENCH OR 1/2" SOCKET AND TORQUE WRENCH, TO A MINIMUM OF 12FT LBS. BUT NOT TO EXCEED 17FT LBS.
- REPEAT FOR THE OTHER LEGS.

CLOSE UP OF CORNER LEG ASSEMBLY

NOTE:

- 1.

DWN BY:	EMK	DWN DATE:	11/2/17
APR BY:		DATE APR:	
APR BY:		DATE APR:	



300 South Krueger Street  
Suring, WI 54174  
diversifiedwoodcrafts.com

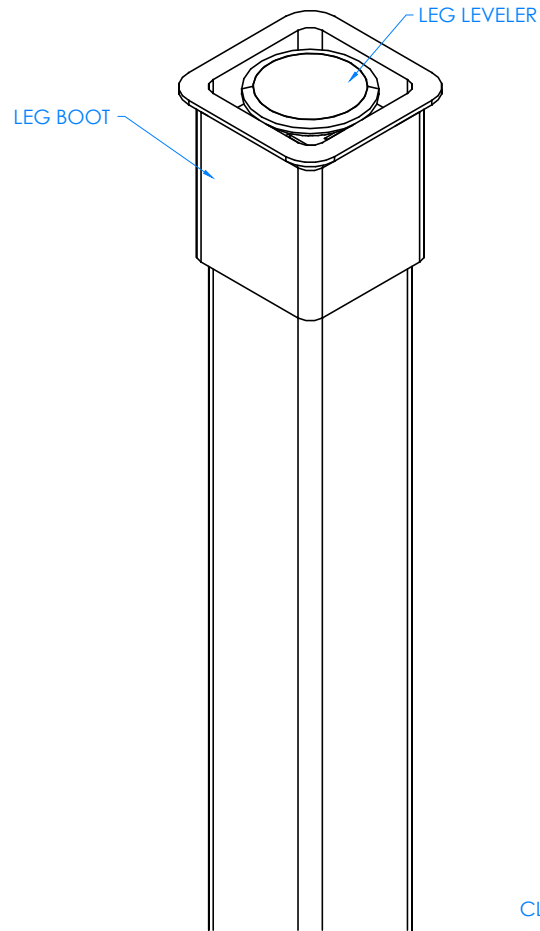
UNLESS OTHERWISE SPECIFIED  
DIMENSION ARE IN INCHES  
CABINET SQUARENESS ± .0625  
FRACTIONAL VALUES ± 1/32"  
- ALL VALUES ± OVERALL -

TITLE:  
IMPRINT DRY ERASE TABLE  
ASSEMBLY INSTRUCTIONS

REV.	DESCRIPTION	DATE	NAME	ECH NO.
A	CREATED DRAWING	11/2/17	EMK	-
REVISION LEVEL				

THIS DRAWING IS THE SOLE PROPERTY OF  
DIVERSIFIED WOOD CRAFTS. IT MAY NOT  
BE ALTERED OR CHANGED WITHOUT  
PERMISSION

DRAWING NUMBER:	SCALE:	SHEET:	REVISION:
P7149K/M & P7209K/M	NTS	4 OF 6	REV A



STEP 3:

- SLIDE LEG BOOTS ONTO LEGS WITH FLARED END TOWARD BOTTOM OF LEGS.
- SCREW LEG LEVELER INTO T-NUT ON BOTTOM OF LEGS.

CLOSE UP OF LEG BOOT AND LEG LEVELER ASSEMBLY

NOTE:

- 1.

DWN BY:	EMK	DWN DATE:	11/2/17
APR BY:		DATE APR:	
APR BY:		DATE APR:	

UNLESS OTHERWISE SPECIFIED  
DIMENSION ARE IN INCHES  
CABINET SQUARENESS ± .0625  
FRACTIONAL VALUES ± 1/32"  
- ALL VALUES ± OVERALL -



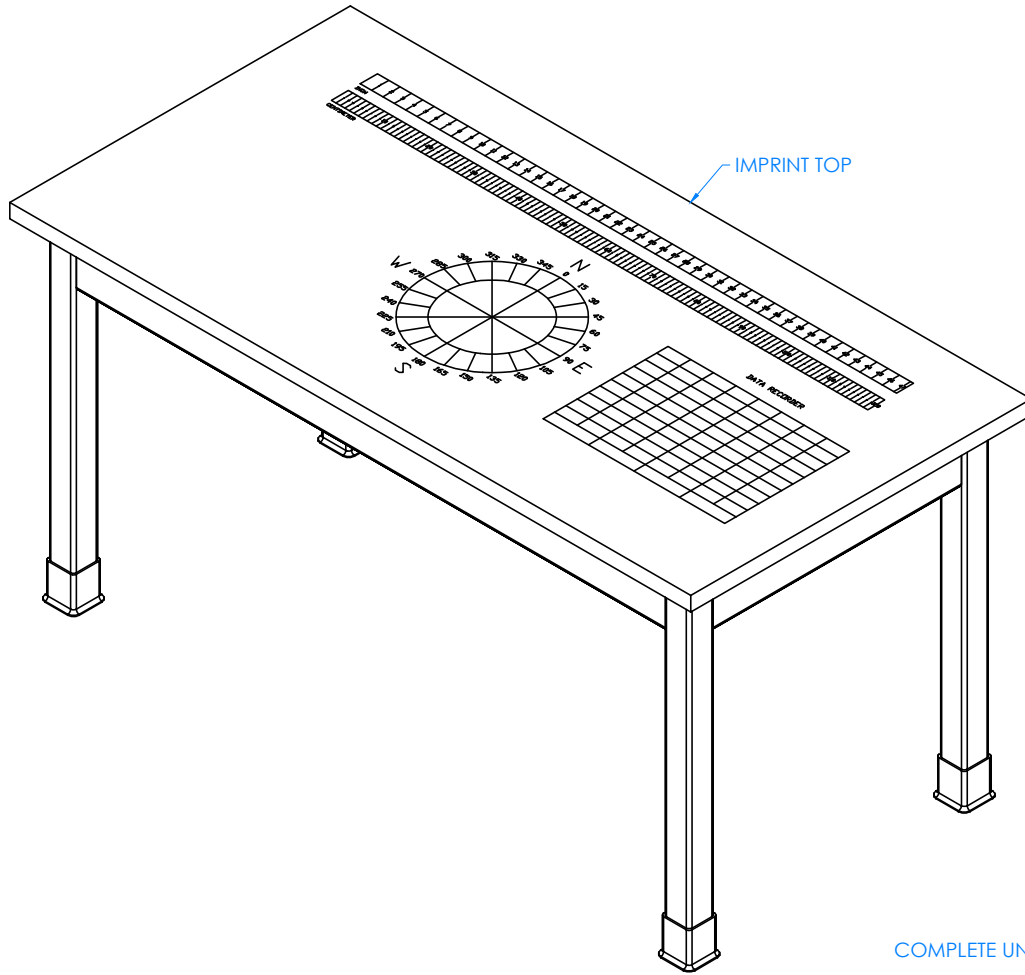
300 South Krueger Street  
Suring, WI 54174  
diversifiedwoodcrafts.com

TITLE:  
IMPRINT DRY ERASE TABLE  
ASSEMBLY INSTRUCTIONS

REV.	DESCRIPTION	DATE	NAME	ECN NO.
A	CREATED DRAWING	11/2/17	EMK	-

THIS DRAWING IS THE SOLE PROPERTY OF  
DIVERSIFIED WOOD CRAFTS. IT MAY NOT  
BE ALTERED OR CHANGED WITHOUT  
PERMISSION

DRAWING NUMBER:	SCALE:	SHEET:	REVISION:
P7149K/M & P7209K/M	NTS	5 OF 6	REV A



STEP 4:

- TURN TABLE OVER SO TOP IS UP.
- SET YOUR TABLE IN PLACE.
- ADJUST LEG LEVELERS TO LEVEL TABLE.
- SLIDE LEG BOOTS DOWN TO FLOOR.

NOTE:

- 1.

COMPLETE UNIT SHOWN

DWN BY:	EMK	DWN DATE:	11/2/17
APR BY:		DATE APR:	
APR BY:		DATE APR:	



300 South Krueger Street  
Suring, WI 54174  
diversifiedwoodcrafts.com

UNLESS OTHERWISE SPECIFIED  
DIMENSION ARE IN INCHES  
CABINET SQUARENESS ± .0625  
FRACTIONAL VALUES ± 1/32"  
- ALL VALUES ± OVERALL -

TITLE:  
IMPRINT DRY ERASE TABLE  
ASSEMBLY INSTRUCTIONS

REV.	DESCRIPTION	DATE	NAME	ECN NO.
A	CREATED DRAWING	11/2/17	EMK	-
REVISION LEVEL				

THIS DRAWING IS THE SOLE PROPERTY OF  
DIVERSIFIED WOOD CRAFTS. IT MAY NOT  
BE ALTERED OR CHANGED WITHOUT  
PERMISSION

DRAWING NUMBER:	SCALE:	SHEET:	REVISION:
P7149K/M & P7209K/M	NTS	6 OF 6	REV A