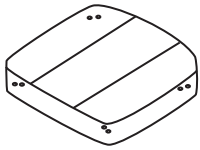


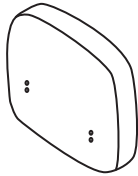
Model: 403 / 403-VAM / 405 / 405-VAM Guest / Reception Chairs

Parts Listing

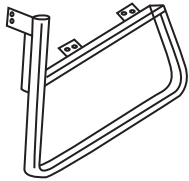
A
Seat Cushion



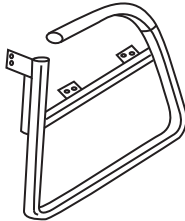
B
Back Cushion



C
Steel Frame
Armless
1 pair



D
Steel Frame
with Arm
1 pair



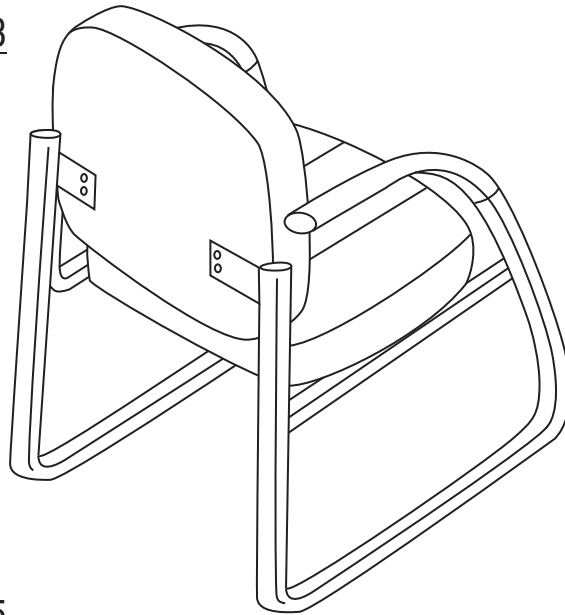
E
M8 Ni-Lock
Hex Screws
8 pcs.



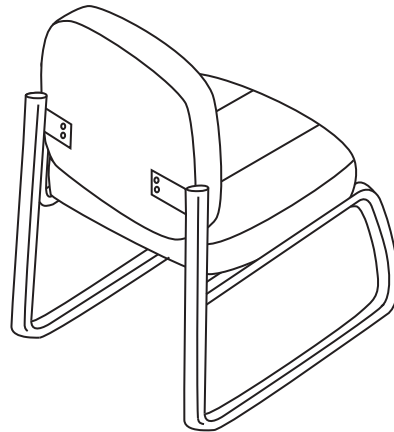
F
6mm Hex Screws
4 pcs.



403



405

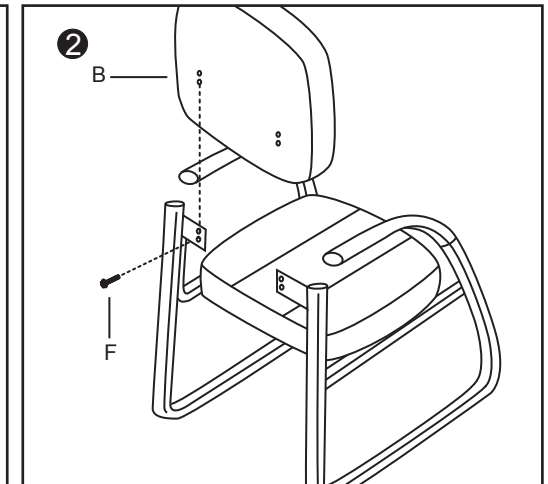
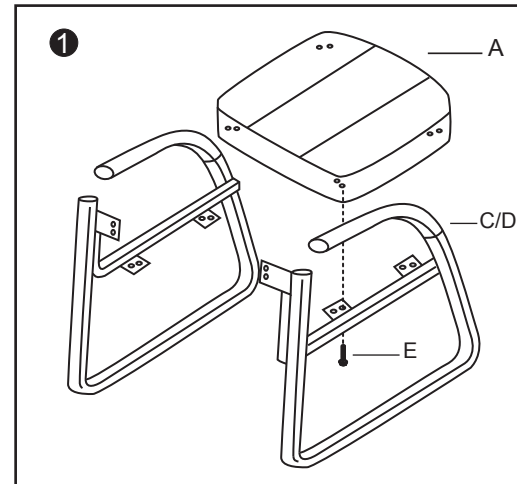


Assembly Instructions



Tools Needed: Phillips Head Screwdriver
Please read all instructions before assembly.

- Step 1:** Mount both sides of Seat Cushion (A) onto the bottom rib of the steel frame (C or D), with special coated Ni-Lock Screws (E) and tighten with screwdriver.
- Step 2:** Place the Back Cushion (B) onto the back rib on top of the side Steel Frame (C or D), attach it with the Hex Screws (F) and tighten with screwdriver.



WEIGHT CAPACITY: 250 lbs.

Assembly Notes:

During assembly, hand tighten screws only. When all screws are in place, you may then tighten all screws completely.

CAUTION:

1. Do not use this chair as a step ladder.
2. Check for loose screws and tighten them every 6 months.

ofm
Furniture For The Real Office™

161 Tradition Trail, Holly Springs, NC, 27540
800-520-7471 (voice) 919-362-4765 (fax)
919-303-6389 (voice) www.ofminc.com
support@ofminc.com