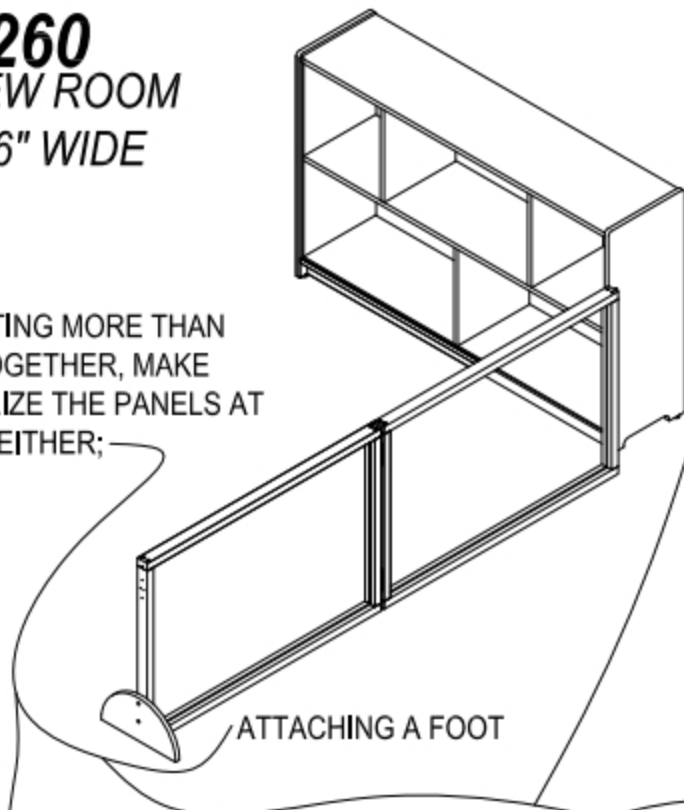


# WB0260

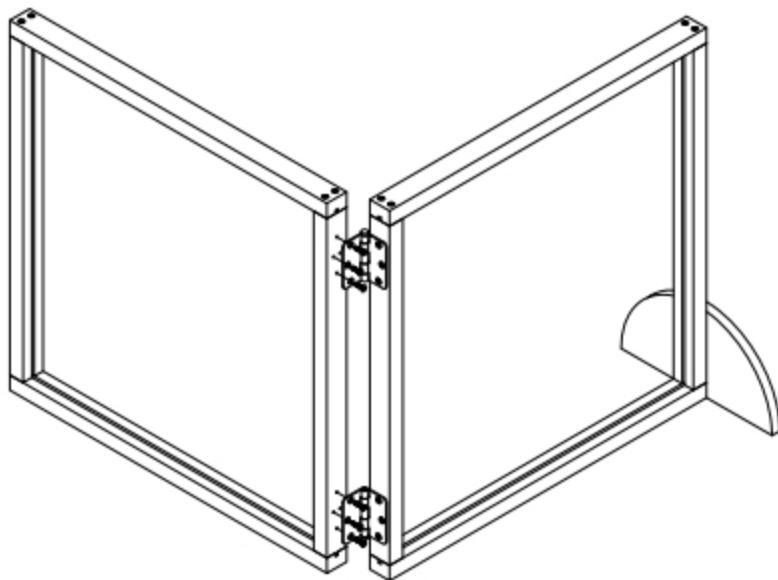
NATURE VIEW ROOM  
DIVIDER 36" WIDE

WHEN CONNECTING MORE THAN TWO PANELS TOGETHER, MAKE SURE TO STABILIZE THE PANELS AT BOTH ENDS BY EITHER;

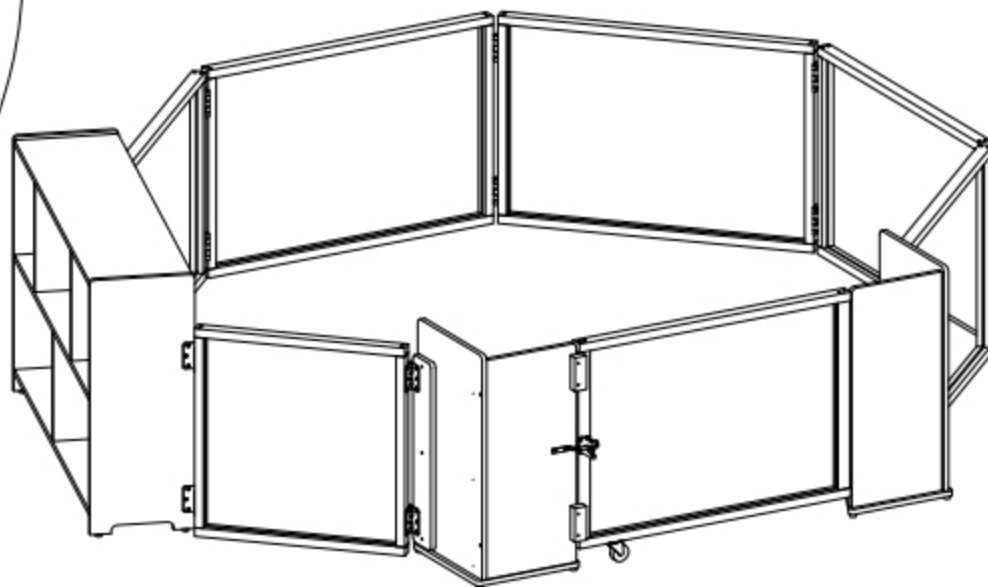


ATTACHING A FOOT

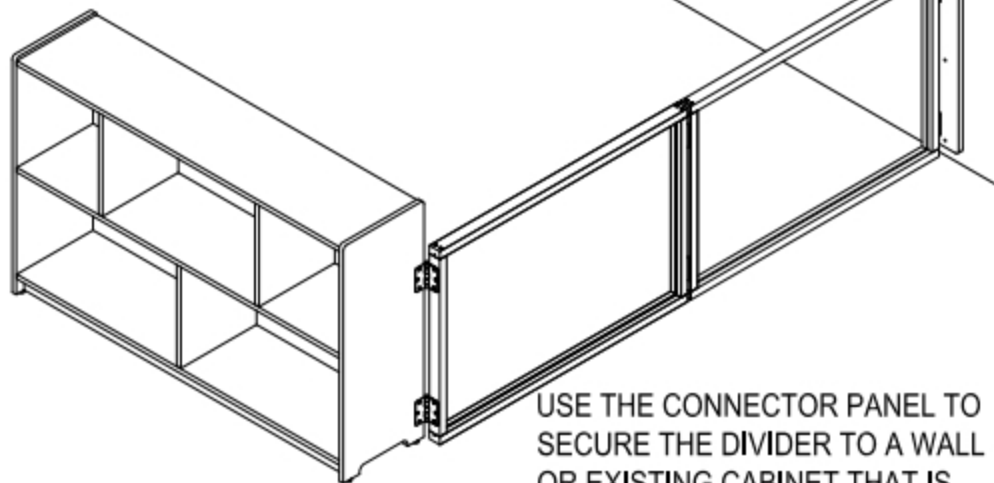
ANGLING THEM SO THE  
END PANELS ARE 45°  
FROM EACH OTHER.



CONNECTING ALL PANELS TOGETHER



ATTACHING TO A SHELF



CONNECTING TO A WALL.

USE THE CONNECTOR PANEL TO  
SECURE THE DIVIDER TO A WALL  
OR EXISTING CABINET THAT IS  
AT LEAST 24" HIGH.

**WB0260**  
NATURE VIEW ROOM  
DIVIDER 36" WIDE

