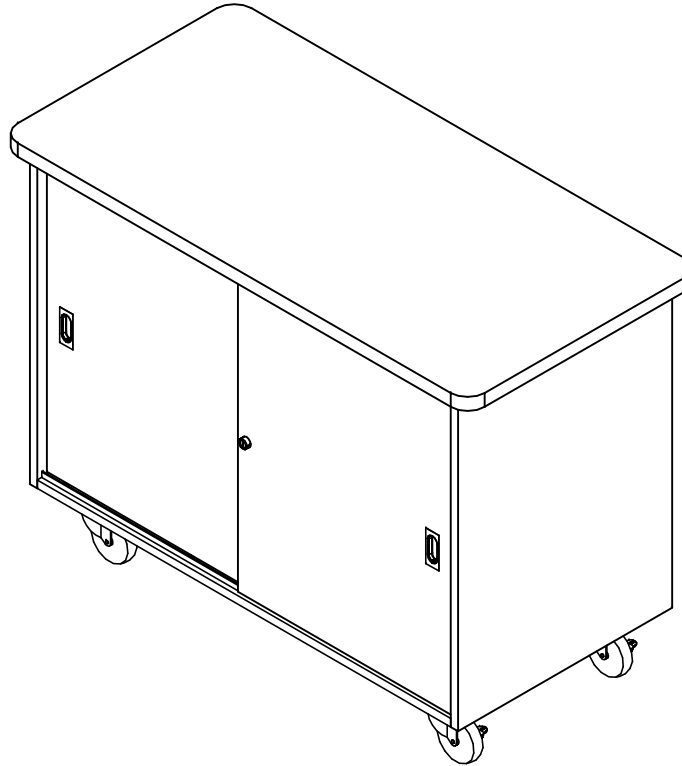


MOBILE LAB UNITS

4101, 4401, 4741, 4751, 4701, 4901, 5201, & 5301 SERIES (OAK OR MAPLE)
ASSEMBLY INSTRUCTIONS



NOTE:

1. MODEL VIEWS MAY NOT REPRESENT EXACT MODEL PURCHASED

DWN BY:	EMK	DWN DATE:	1/29/18
APR BY:		DATE APR:	
APR BY:		DATE APR:	

UNLESS OTHERWISE SPECIFIED
DIMENSION ARE IN INCHES
CABINET SQUARENESS ± .0625
FRACTIONAL VALUES ± 1/32"
- ALL VALUES ± OVERALL -



300 South Krueger Street
Suring, WI 54174
diversifiedwoodcrafts.com

TITLE:
MOBILE LAB UNITS
ASSEMBLY INSTRUCTIONS

REV.	DESCRIPTION	DATE	NAME	ECN NO.
A	CREATED ASSEMBLY INSTRUCTIONS	1/29/18	EMK	-

REVISION LEVEL

THIS DRAWING IS THE SOLE PROPERTY OF
DIVERSIFIED WOOD CRAFTS. IT MAY NOT
BE ALTERED OR CHANGED WITHOUT
PERMISSION

DRAWING NUMBER:

MOBILE LAB UNITS

SCALE:

NTS

SHEET:

1 OF 7

REVISION:

REV A

TOOLS REQUIRED

1/2" WRENCH
ADJUSTABLE PLIERS
SCREW DRIVER

ASSEMBLY COMPONENTS

ITEMS INCLUDED	PART #	PART DESCRIPTION	QTY
CASTERS	100081	CASTER,4IN SWIVEL TOP PLATE, W/BRAKE	4
CASTER HARDWARE KIT	206509	CASTER,ASSY,HDWRE,16-SCREWS, 16-NUTS	1
SHELF CLIPS	100027	SHELF CLIPS,PLASTIC,5MM PIN	VARIES
TOTES	100135	TOTE TRAY, T-188	VARIES
MICROSCOPE DIVIDERS	100995	MICROSCOPE DIVIDER,ZINC	VARIES

NOTE:

1. COMPONENTS VARY WITH STYLE OF MOBILE CABINET PURCHASED.
2. ****XX**** INDICATES ITEMS THAT MAY NOT COME WITH UNIT (DEPENDING ON MODEL PURCHASED).

DWN BY:	EMK	DWN DATE:	1/29/18
APR BY:		DATE APR:	
APR BY:		DATE APR:	

UNLESS OTHERWISE SPECIFIED
DIMENSION ARE IN INCHES
CABINET SQUARENESS ± .0625
FRACTIONAL VALUES ± 1/32"
- ALL VALUES ± OVERALL -



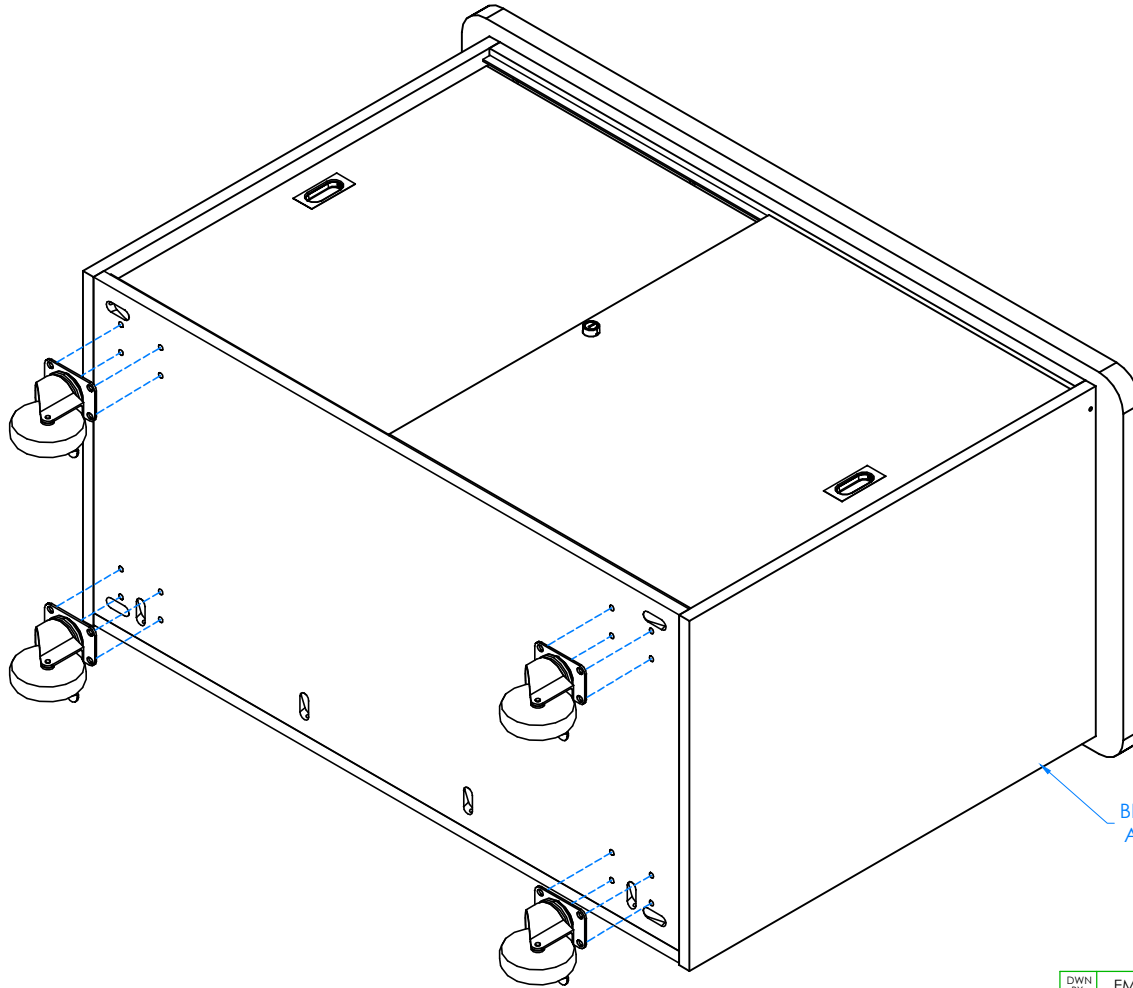
300 South Krueger Street
Suring, WI 54174
diversifiedwoodcrafts.com

TITLE:
MOBILE LAB UNITS
TOOLS AND ASSEMBLY COMPONENTS

REV.	DESCRIPTION	DATE	NAME	ECN NO.
A	CREATED ASSEMBLY INSTRUCTIONS	1/29/18	EMK	-

THIS DRAWING IS THE SOLE PROPERTY OF
DIVERSIFIED WOOD CRAFTS. IT MAY NOT
BE ALTERED OR CHANGED WITHOUT
PERMISSION

DRAWING NUMBER:	SCALE:	SHEET:	REVISION:
MOBILE LAB UNITS	NTS	2 OF 7	REV A



STEP 1:

- IF YOUR CABINET COMES WITH CASTERS INSTALLED, SKIP TO STEP 2.
- LAY CABINET ON ITS BACK.
- ATTACH CASTERS FROM INSIDE CABINET USING HARDWARE PROVIDED.

****NOTE****
 BE SURE CABINET IS ON
 A CLEAN SURFACE TO
 PREVENT DAMAGE

NOTE:

1. TO REMOVE SLIDING DOORS - SLIDE DOORS TO ONE SIDE. REMOVE EXPOSED SCREWS FROM TOP RAIL. SLIDE DOORS TO OPPOSITE SIDE AND REMOVE REMAINING SCREWS. TILT DOORS AND RAIL OUT. REPEAT STEPS ABOVE IN REVERSE TO PUT DOORS BACK ON.

4101 UNIT SHOWN

DWN BY:	EMK	DWN DATE:	1/29/18
APR BY:		DATE APR:	
APR BY:		DATE APR:	

UNLESS OTHERWISE SPECIFIED
 DIMENSION ARE IN INCHES
 CABINET SQUARENESS ± .0625
 FRACTIONAL VALUES ± 1/32"
 - ALL VALUES ± OVERALL -

THIS DRAWING IS THE SOLE PROPERTY OF
 DIVERSIFIED WOOD CRAFTS. IT MAY NOT
 BE ALTERED OR CHANGED WITHOUT
 PERMISSION



300 South Krueger Street
 Suring, WI 54174
 diversifiedwoodcrafts.com

TITLE:
**MOBILE LAB UNITS
 ASSEMBLY INSTRUCTIONS**

REV.	DESCRIPTION	DATE	NAME	ECH NO.
A	CREATED ASSEMBLY INSTRUCTIONS	1/29/18	EMK	-

REVISION LEVEL

DRAWING NUMBER:

MOBILE LAB UNITS

SCALE:

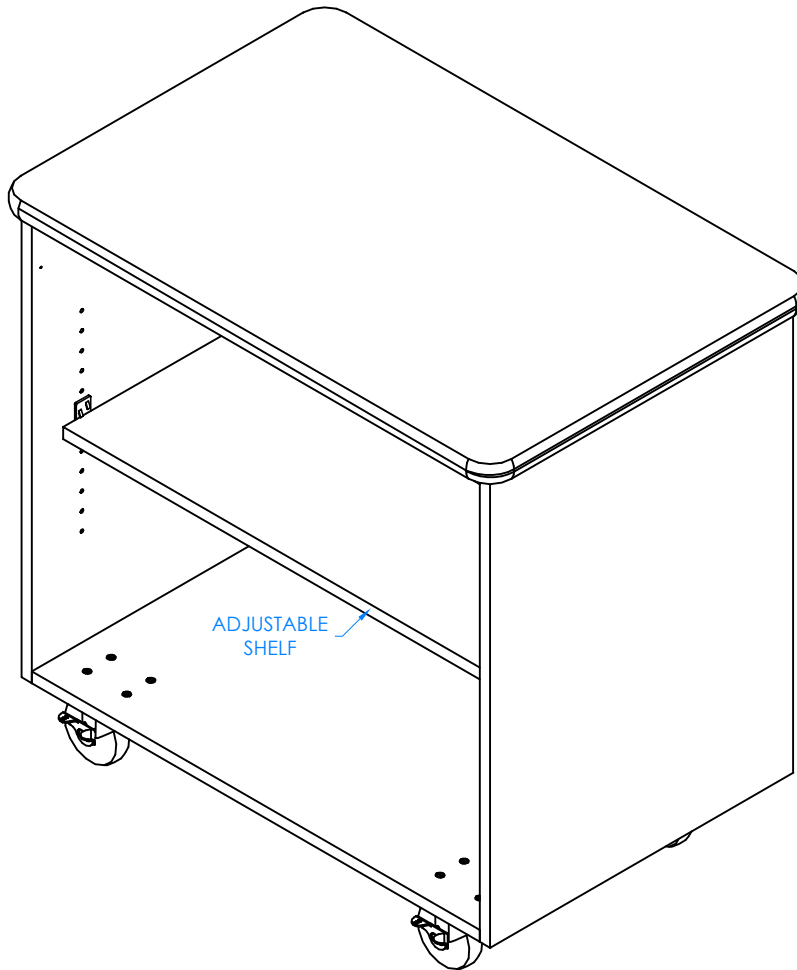
NTS

SHEET:

3 OF 7

REVISION:

REV A



STEP 2:

- TIP CABINET UP.
- IF YOUR UNIT DOES NOT HAVE AN ADJUSTABLE SHELF, SKIP TO STEP 3.
- INSERT SHELF CLIPS IN DESIRED LOCATION.
- PLACE SHELF ON CLIPS, MAKING SURE IT IS LEVEL.

NOTE:

1. TO REMOVE SLIDING DOORS - SLIDE DOORS TO ONE SIDE. REMOVE EXPOSED SCREWS FROM TOP RAIL. SLIDE DOORS TO OPPOSITE SIDE AND REMOVE REMAINING SCREWS. TILT DOORS AND RAIL OUT. REPEAT STEPS ABOVE IN REVERSE TO PUT DOORS BACK ON.

4401 UNIT SHOWN WITH ADJUSTABLE SHELF
DOORS AND HARDWARE REMOVED TO
SHOW CLARITY

DWN BY:	EMK	DWN DATE:	1/29/18
APR BY:		DATE APR:	
APR BY:		DATE APR:	

UNLESS OTHERWISE SPECIFIED
DIMENSION ARE IN INCHES
CABINET SQUARENESS ± .0625
FRACTIONAL VALUES ± 1/32"
- ALL VALUES ± OVERALL -



300 South Krueger Street
Suring, WI 54174
diversifiedwoodcrafts.com

TITLE:
MOBILE LAB UNITS
ASSEMBLY INSTRUCTIONS

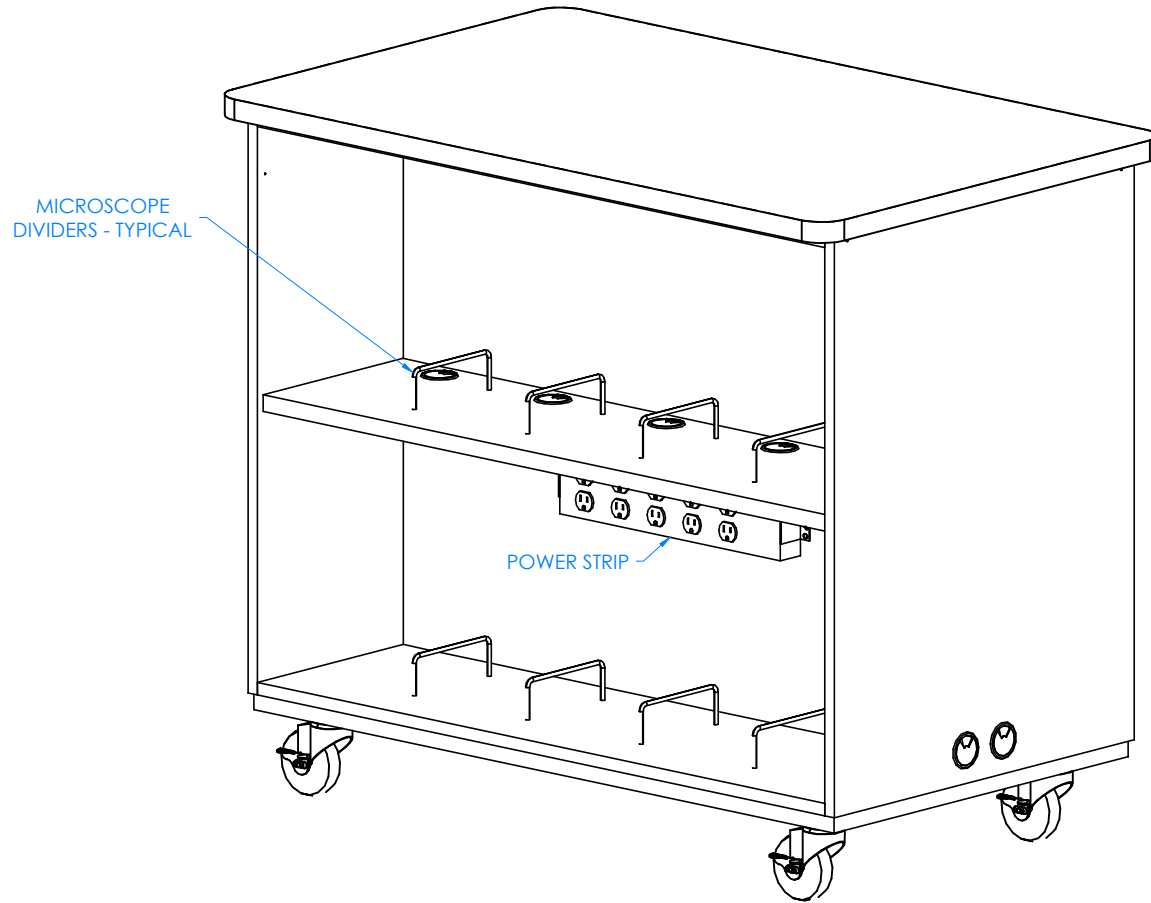
REV.	DESCRIPTION	DATE	NAME	ECH NO.
A	CREATED ASSEMBLY INSTRUCTIONS	1/29/18	EMK	-
REVISION LEVEL				

THIS DRAWING IS THE SOLE PROPERTY OF
DIVERSIFIED WOOD CRAFTS. IT MAY NOT
BE ALTERED OR CHANGED WITHOUT
PERMISSION

DRAWING NUMBER:

MOBILE LAB UNITS

SCALE:	SHEET:	REVISION:
NTS	4 OF 7	REV A



STEP 3:

- IF YOUR UNIT DOES NOT HAVE MICROSCOPE DIVIDERS, SKIP TO STEP 4.
- ATTACH MICROSCOPE DIVIDERS TO SHELF.
- PLUG IN POWER STRIP TO OUTLET (4741).

NOTE:

1. TO REMOVE SLIDING DOORS - SLIDE DOORS TO ONE SIDE. REMOVE EXPOSED SCREWS FROM TOP RAIL. SLIDE DOORS TO OPPOSITE SIDE AND REMOVE REMAINING SCREWS. TILT DOORS AND RAIL OUT. REPEAT STEPS ABOVE IN REVERSE TO PUT DOORS BACK ON.

4701 UNIT SHOWN WITH MICROSCOPE DIVIDERS
DOORS AND HARDWARE REMOVED TO SHOW
CLARITY

DWN BY:	EMK	DWN DATE:	1/29/18
APR BY:		DATE APR:	
APR BY:		DATE APR:	

UNLESS OTHERWISE SPECIFIED
DIMENSION ARE IN INCHES
CABINET SQUARENESS ± .0625
FRACTIONAL VALUES ± 1/32"
- ALL VALUES ± OVERALL -



300 South Krueger Street
Suring, WI 54174
diversifiedwoodcrafts.com

TITLE:
MOBILE LAB UNITS
ASSEMBLY INSTRUCTIONS

REV.	DESCRIPTION	DATE	NAME	ECH NO.
A	CREATED ASSEMBLY INSTRUCTIONS	1/29/18	EMK	-
REVISION LEVEL				

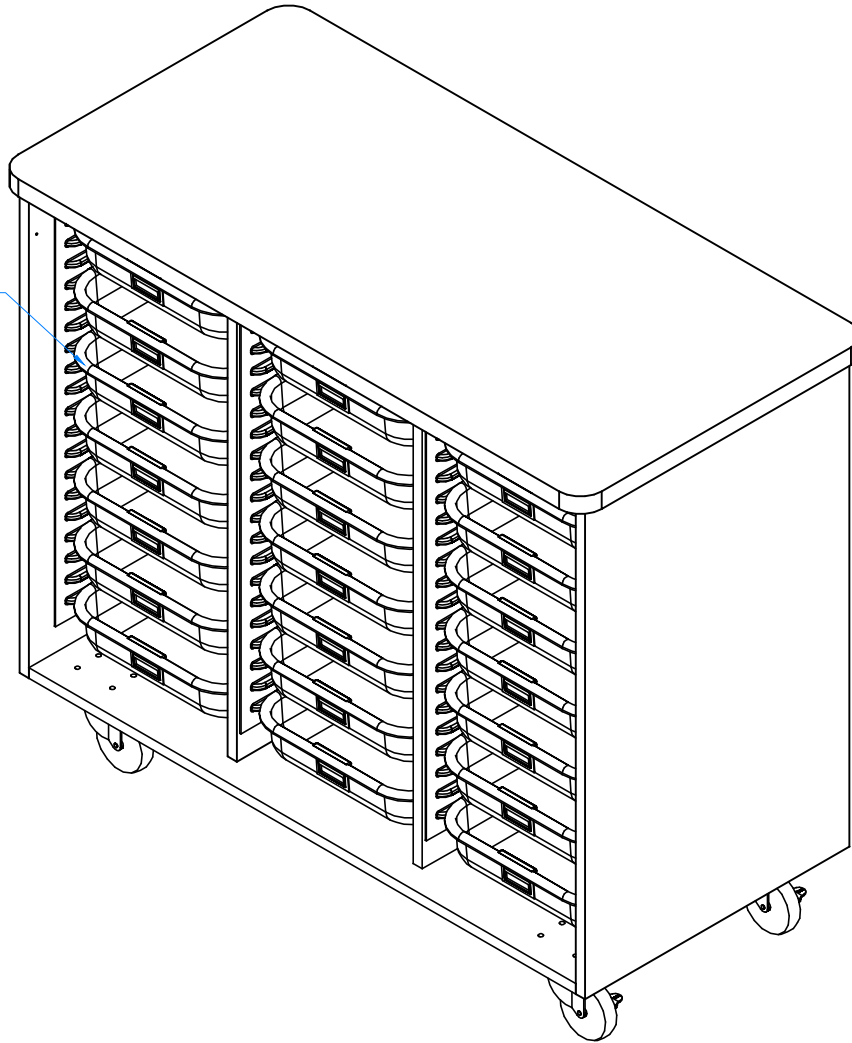
THIS DRAWING IS THE SOLE PROPERTY OF
DIVERSIFIED WOOD CRAFTS. IT MAY NOT
BE ALTERED OR CHANGED WITHOUT
PERMISSION

DRAWING NUMBER:

MOBILE LAB UNITS

SCALE:	SHEET:	REVISION:
NTS	5 OF 7	REV A

TOTE TRAYS - TYPICAL



4901 UNIT SHOWN WITH TOTE TRAYS
DOORS AND HARDWARE REMOVED TO
SHOW CLARITY

NOTE:

1. TO REMOVE SLIDING DOORS - SLIDE DOORS TO ONE SIDE. REMOVE EXPOSED SCREWS FROM TOP RAIL. SLIDE DOORS TO OPPOSITE SIDE AND REMOVE REMAINING SCREWS. TILT DOORS AND RAIL OUT. REPEAT STEPS ABOVE IN REVERSE TO PUT DOORS BACK ON.

STEP 4:

- IF YOUR UNIT DOES NOT HAVE TOTE TRAYS, SKIP TO STEP 5.
- PLACE TOTE TRAYS IN DESIRED LOCATION.

DWN BY:	EMK	DWN DATE:	1/29/18
APR BY:		DATE APR:	
APR BY:		DATE APR:	

UNLESS OTHERWISE SPECIFIED
DIMENSION ARE IN INCHES
CABINET SQUARENESS ± .0625
FRACTIONAL VALUES ± 1/32"
- ALL VALUES ± OVERALL -



300 South Krueger Street
Suring, WI 54174
diversifiedwoodcrafts.com

TITLE:
MOBILE LAB UNITS
ASSEMBLY INSTRUCTIONS

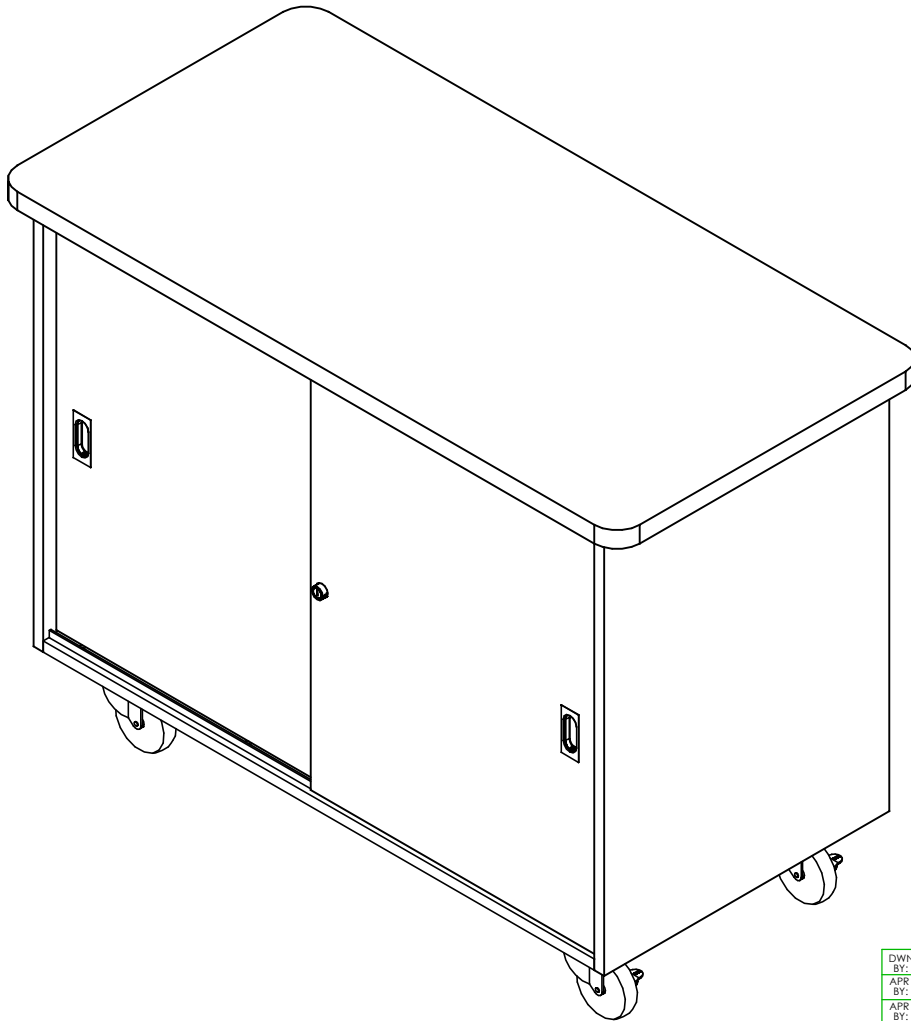
REV.	DESCRIPTION	DATE	NAME	ECH NO.
A	CREATED ASSEMBLY INSTRUCTIONS	1/29/18	EMK	-
REVISION LEVEL				

THIS DRAWING IS THE SOLE PROPERTY OF
DIVERSIFIED WOOD CRAFTS. IT MAY NOT
BE ALTERED OR CHANGED WITHOUT
PERMISSION

DRAWING NUMBER:

MOBILE LAB UNITS

SCALE:	SHEET:	REVISION:
NTS	6 OF 7	REV A



STEP 5:
SET CABINET IN DESIRED LOCATION.

NOTE:

1. TO REMOVE SLIDING DOORS - SLIDE DOORS TO ONE SIDE. REMOVE EXPOSED SCREWS FROM TOP RAIL. SLIDE DOORS TO OPPOSITE SIDE AND REMOVE REMAINING SCREWS. TILT DOORS AND RAIL OUT. REPEAT STEPS ABOVE IN REVERSE TO PUT DOORS BACK ON.

COMPLETE UNIT SHOWN

DWN BY:	EMK	DWN DATE:	1/29/18
APR BY:		DATE APR:	
APR BY:		DATE APR:	

UNLESS OTHERWISE SPECIFIED
DIMENSION ARE IN INCHES
CABINET SQUARENESS ± .0625
FRACTIONAL VALUES ± 1/32"
- ALL VALUES ± OVERALL -



300 South Krueger Street
Suring, WI 54174
diversifiedwoodcrafts.com

TITLE:
MOBILE LAB UNITS
ASSEMBLY INSTRUCTIONS

REV.	DESCRIPTION	DATE	NAME	ECN NO.
A	CREATED ASSEMBLY INSTRUCTIONS	1/29/18	EMK	-

REVISION LEVEL

THIS DRAWING IS THE SOLE PROPERTY OF
DIVERSIFIED WOOD CRAFTS. IT MAY NOT
BE ALTERED OR CHANGED WITHOUT
PERMISSION

DRAWING NUMBER:

MOBILE LAB UNITS

SCALE:

NTS

SHEET:

7 OF 7

REVISION:

REV A