

Parts List

* # of bins and depth of bins vary by unit ordered

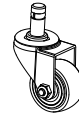
07/22/16



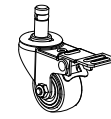
A x4 pcs



B x8 pcs



C x2 pcs



D x2 pcs



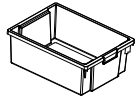
E x4 pcs



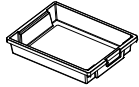
F x4 pcs



J x1 pcs



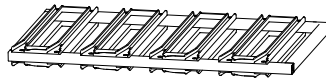
*G



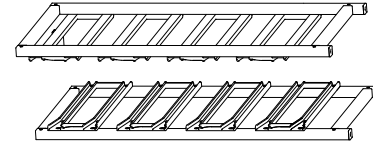
*H



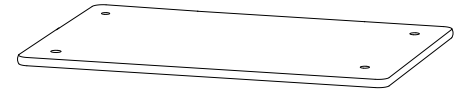
K x4 pcs



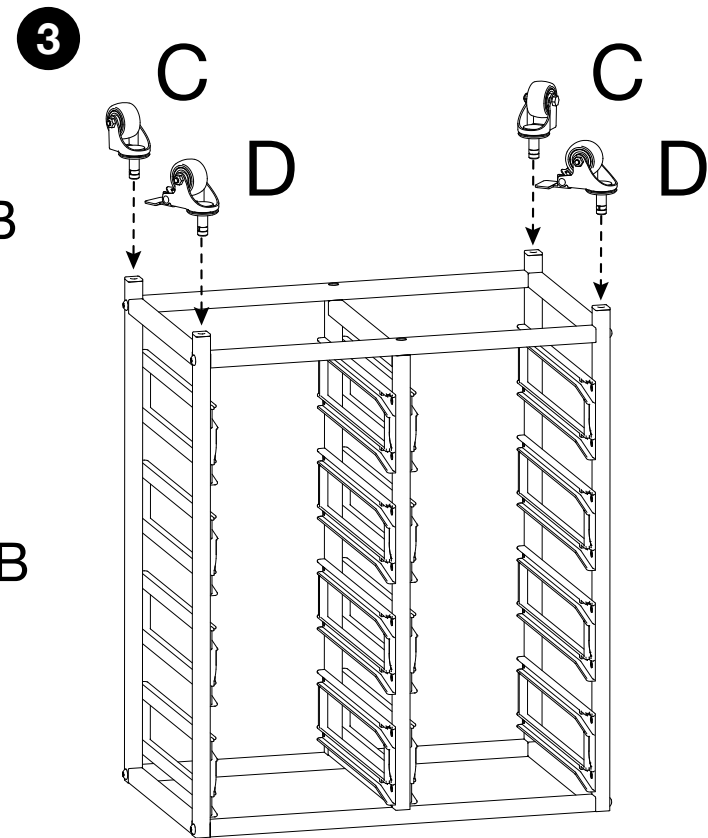
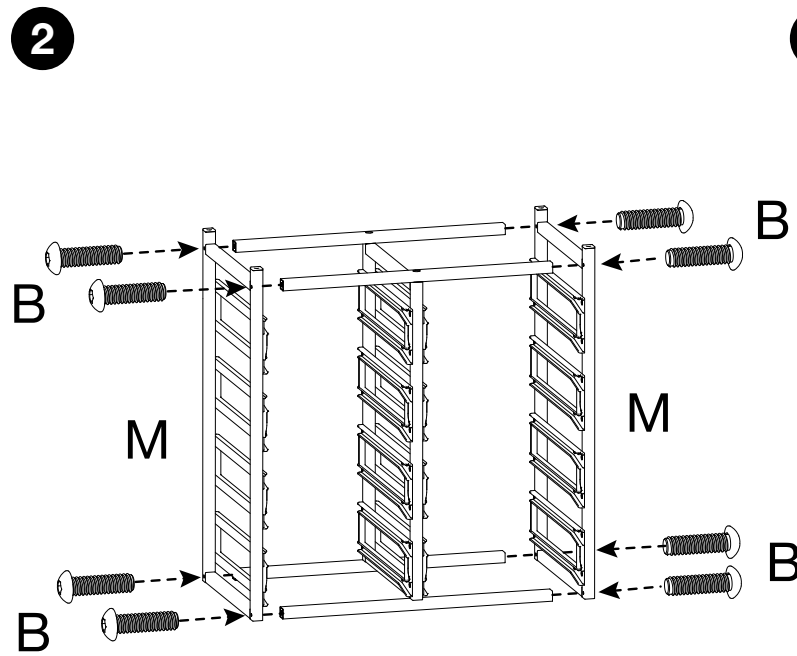
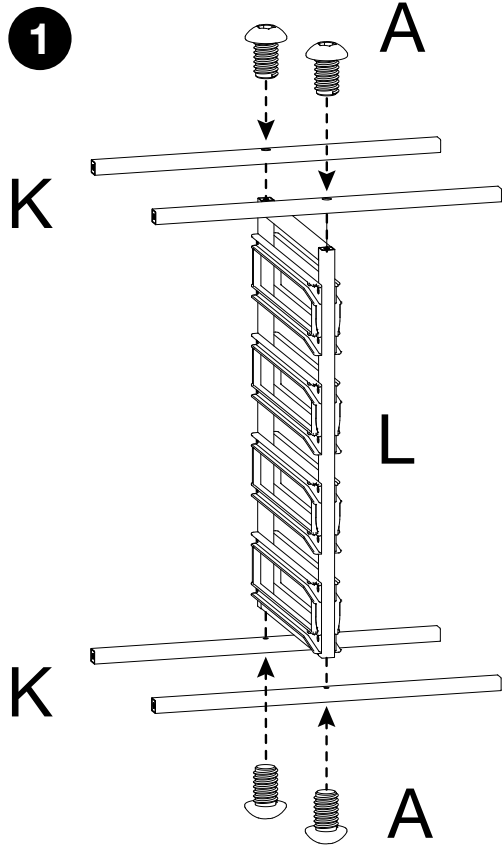
L x1 pcs



M x2 pcs



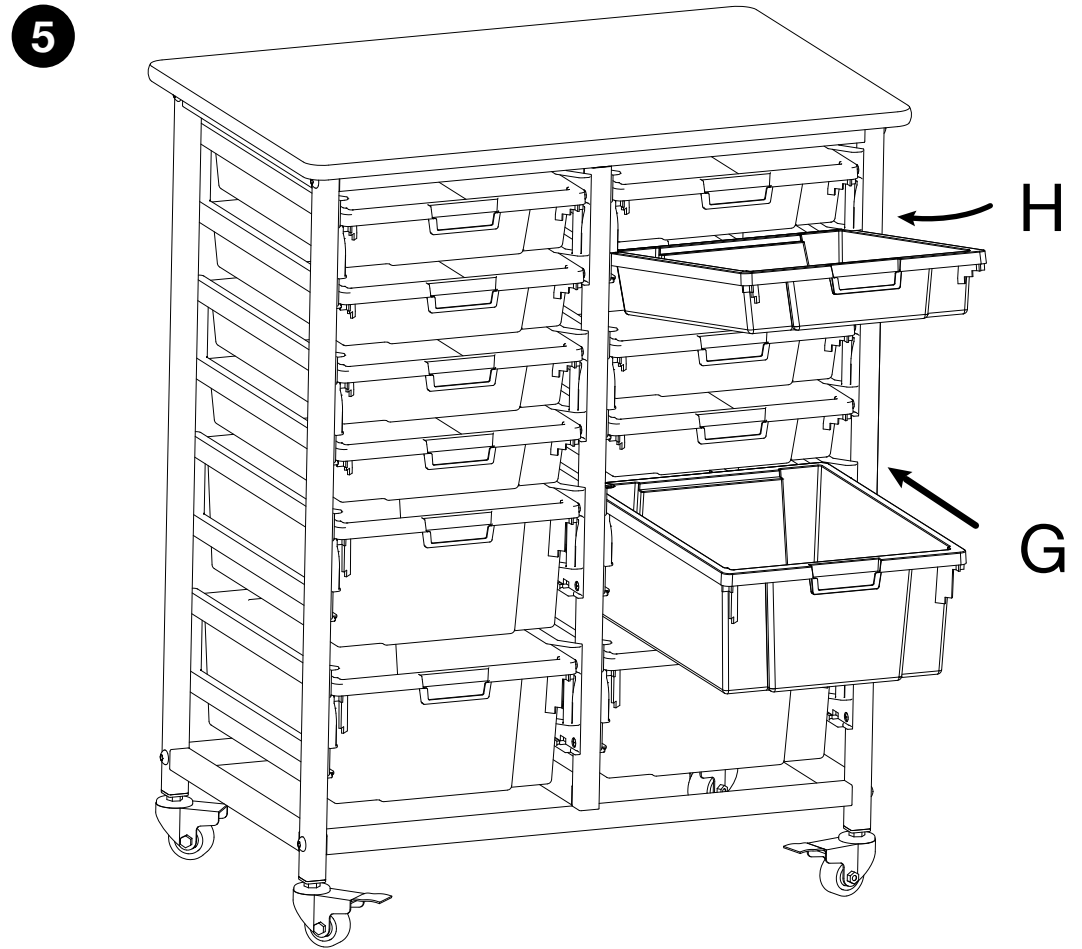
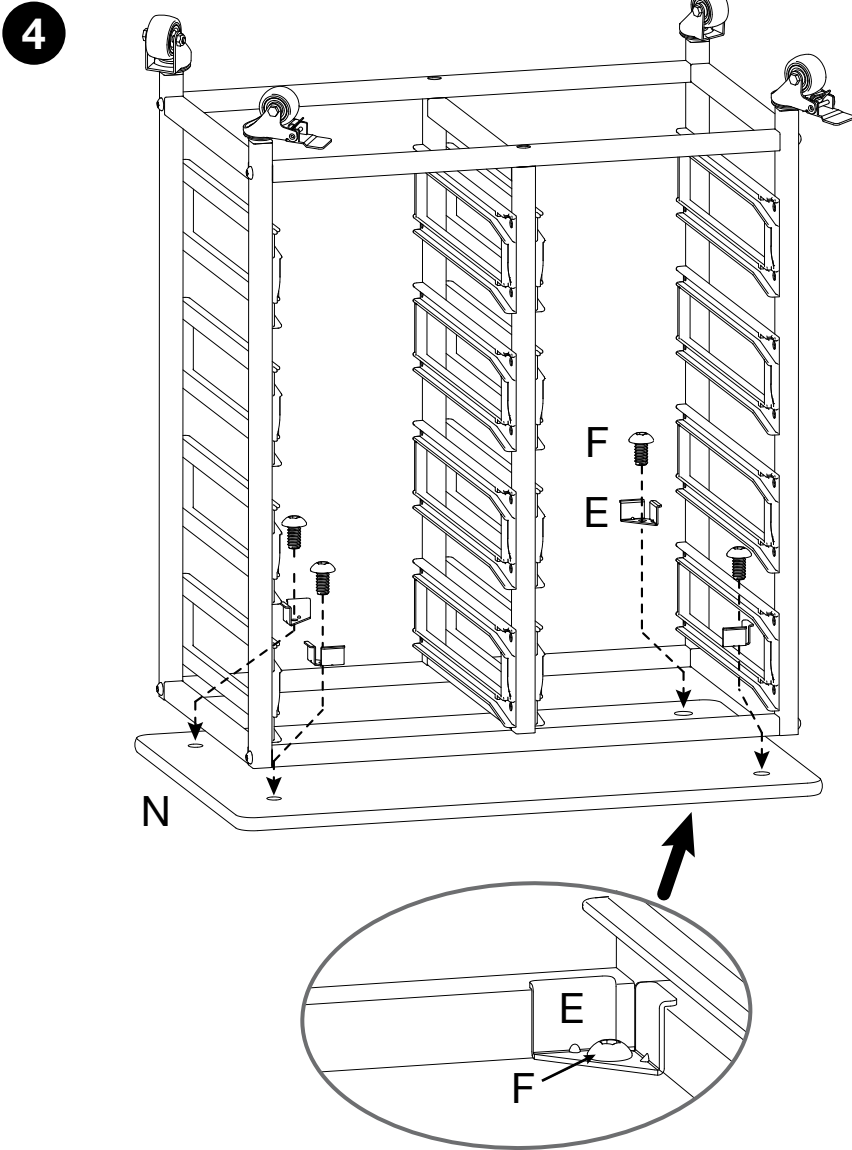
N x1 pcs



* Do not fully tighten screws until the last step

LUXOR

INNOVATIVE WORKSPACE PRODUCT SOLUTIONS



* Do not fully tighten screws until the last step