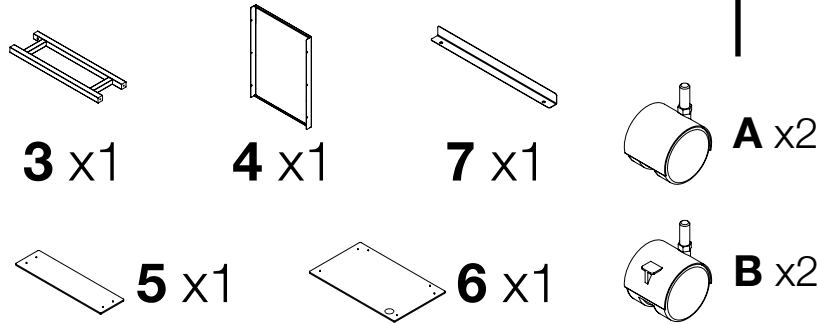
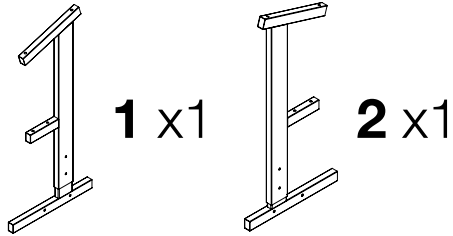


# Stand Up Lectern Desk Instructions

06/20/14

## Parts List



## Tools Included

