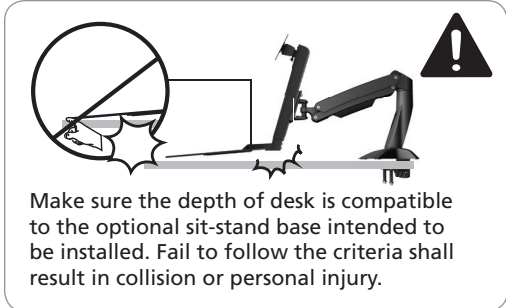
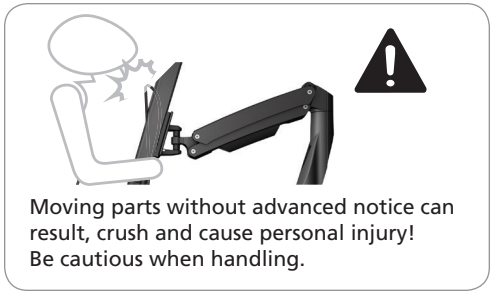
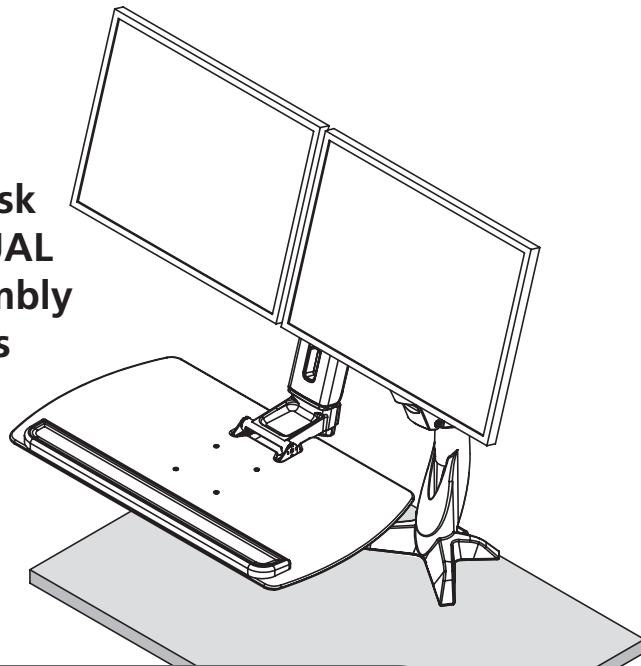


Standing Desk Converter DUAL Monitor Assembly Instructions



Tools Required for Assembly:

- 2.5mm Allen Wrench
- 5mm Allen Wrench
- 6mm Allen Wrench
- Phillips Screwdriver
- Ratchet 1/4" drive and extension

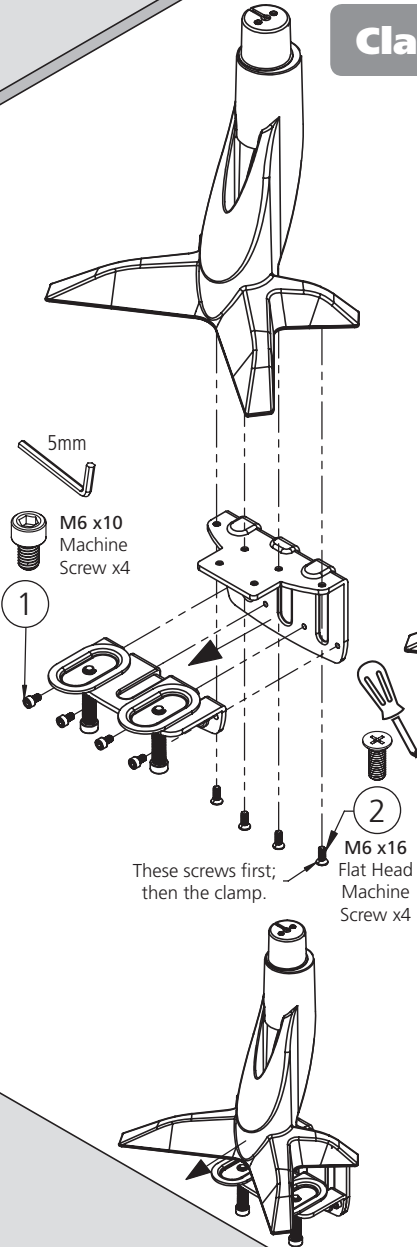
Included:

- 8mm 1/4" Drive Socket

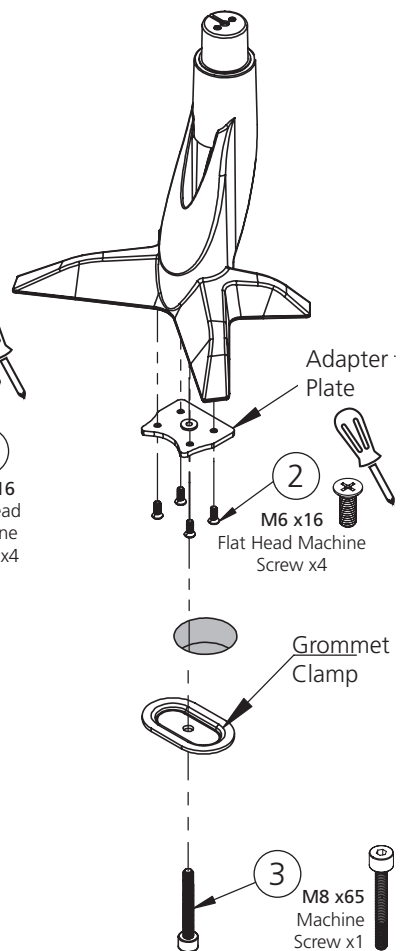
Hardware (may have extra)

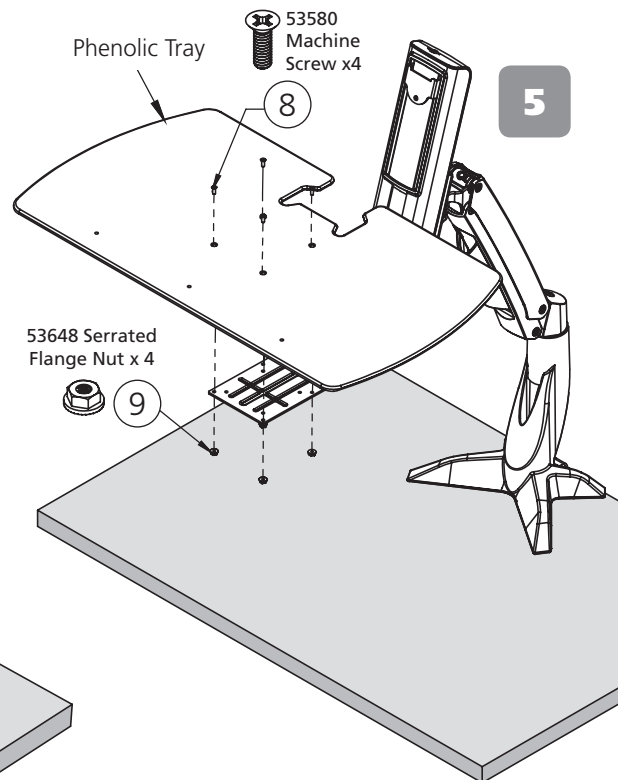
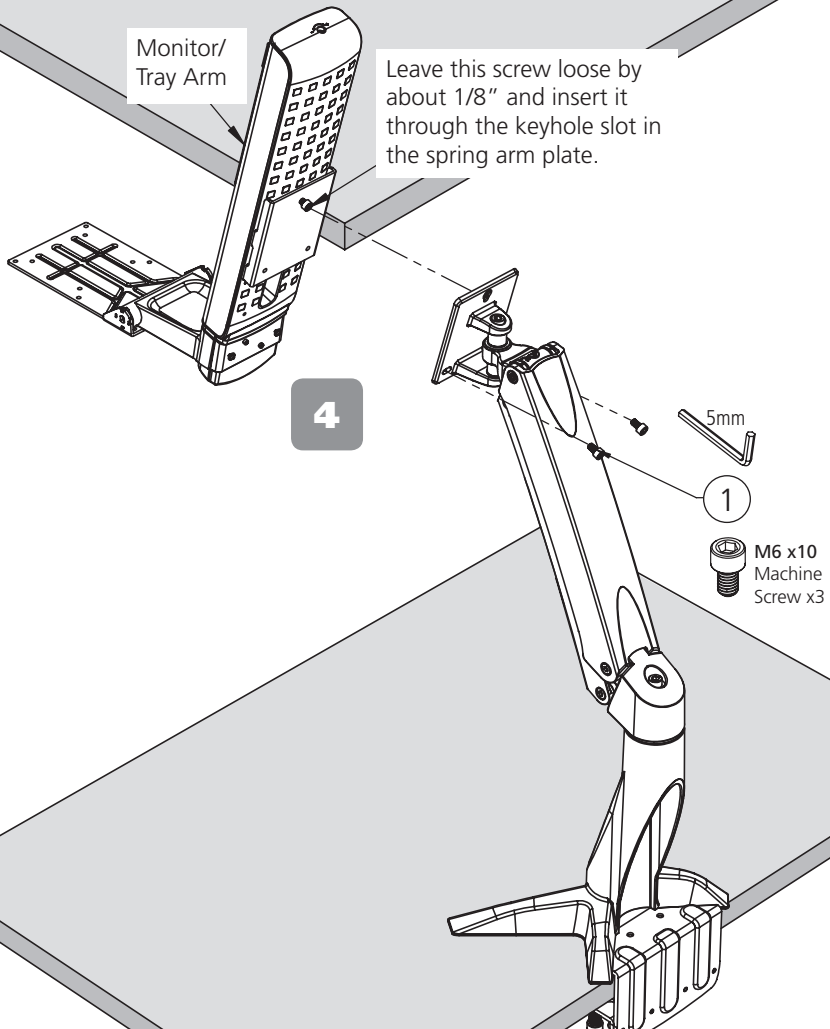
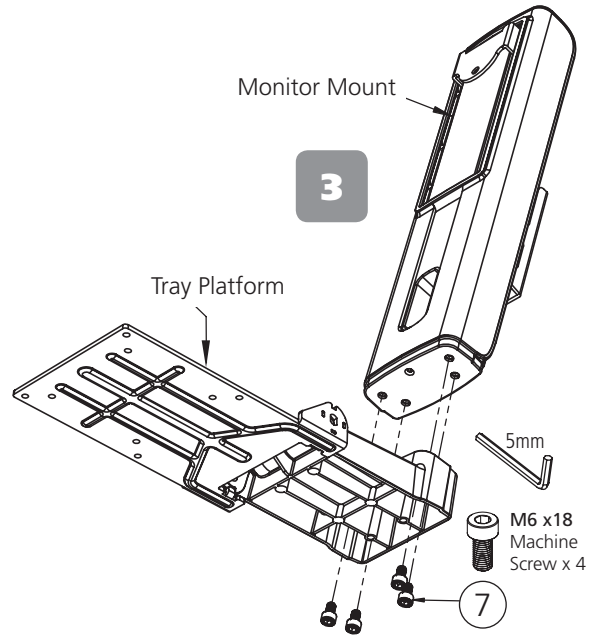
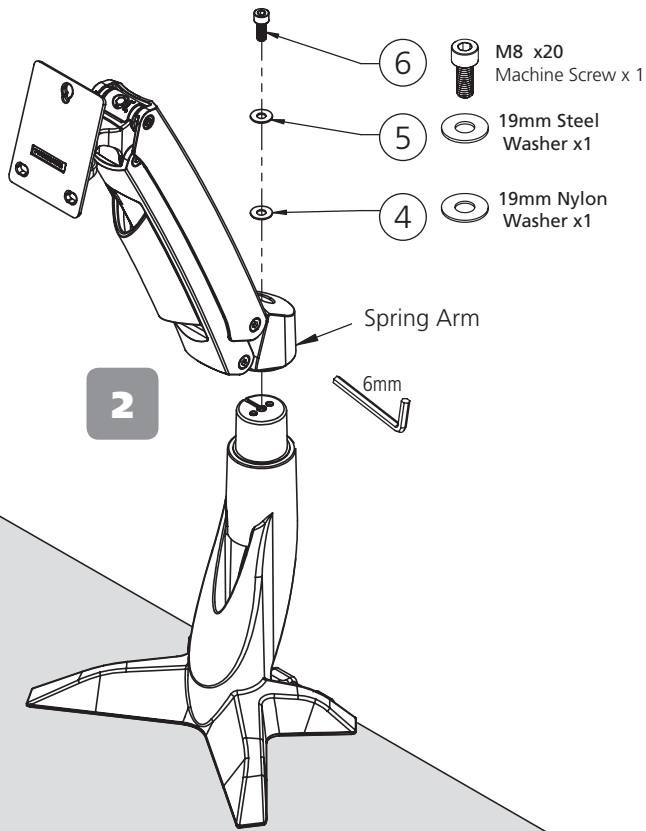
M6 x10 Machine Screw x7	M6 x16 Flat Head Machine Screw x4	M8 x65 Machine Screw x1
19mm Nylon Washer x1	19mm Steel Washer x1	M8 x20 Machine Screw x1
M6 x18 Machine Screw x4	53580 8-32 x 1/2 Machine Screw x4	53648 8-32 Serrated Flange Nut x4
52443 8-32 x 1/2 Machine Screw x3	52127 M4-.7 x 10 Machine Screw x8	M6-1 x10 Machine Screw x2

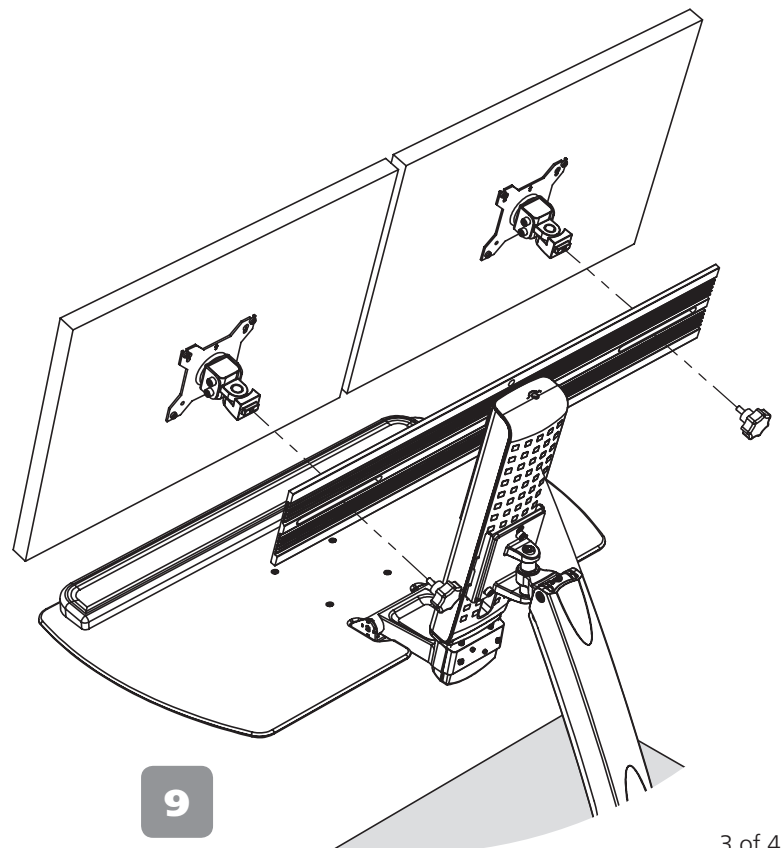
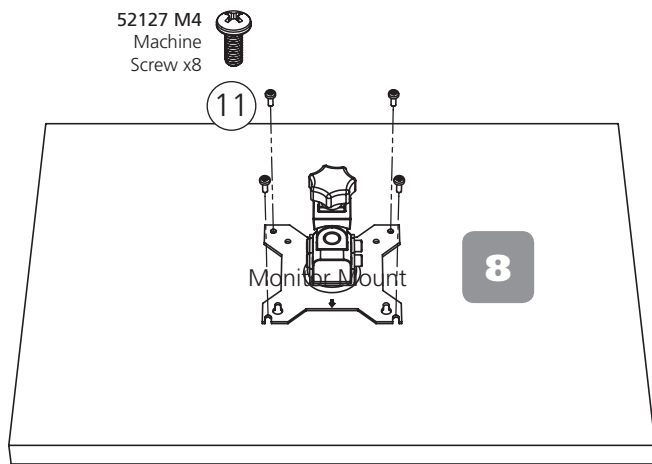
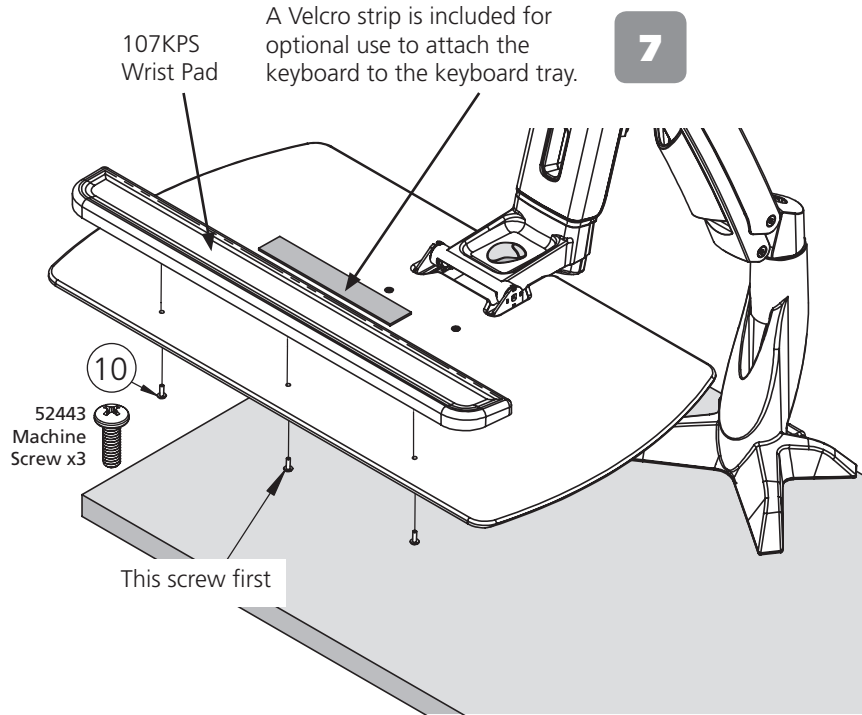
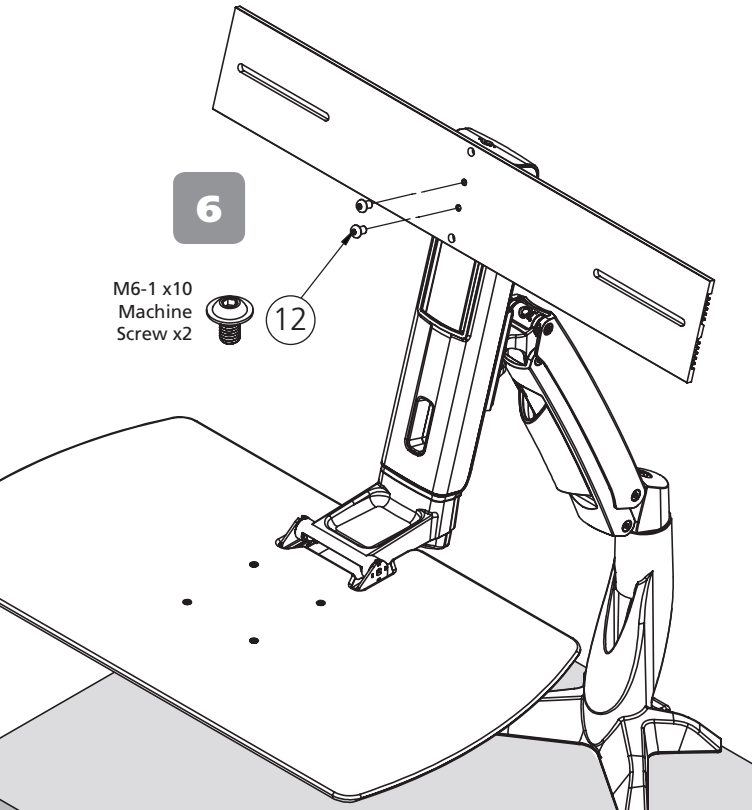
Clamp 1a



Grommet 1b

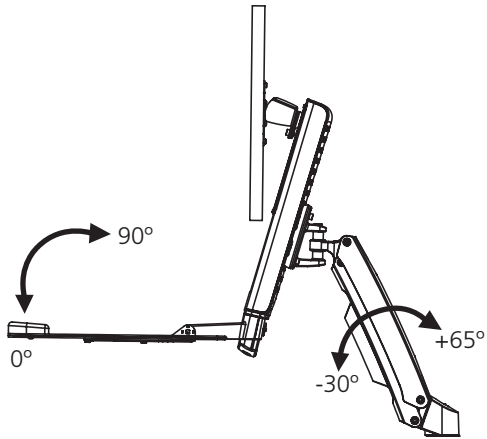




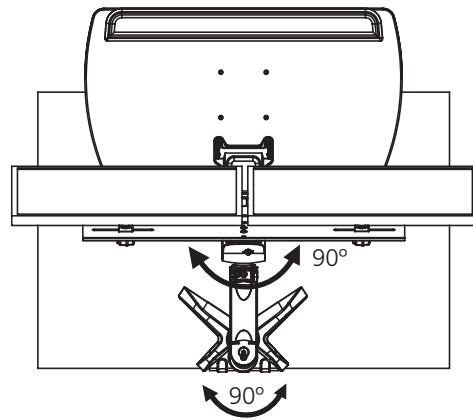


User Guide

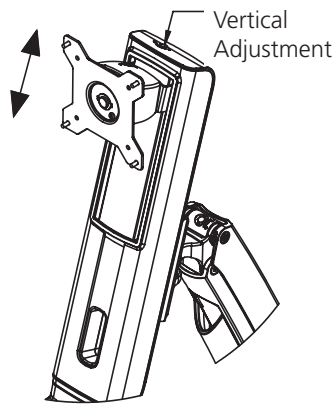
Tray Tilt & Swing Arm Height Adjustment



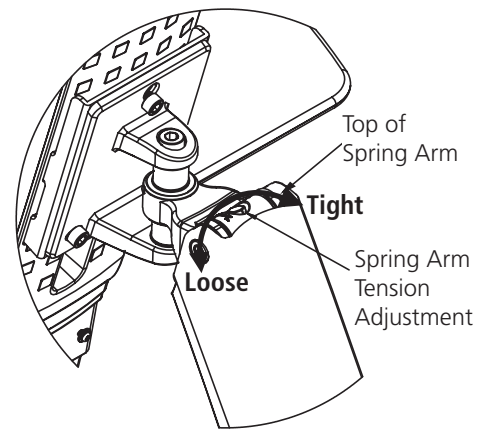
Left / Right Rotation



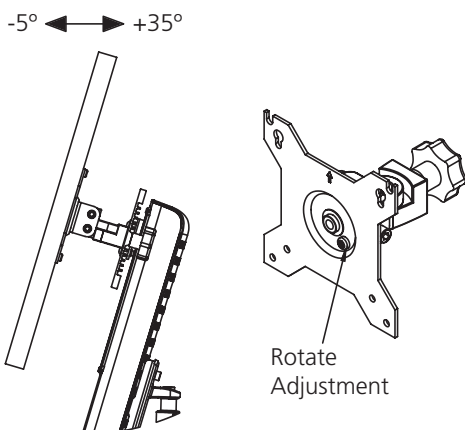
Vertical Tension Adjustment



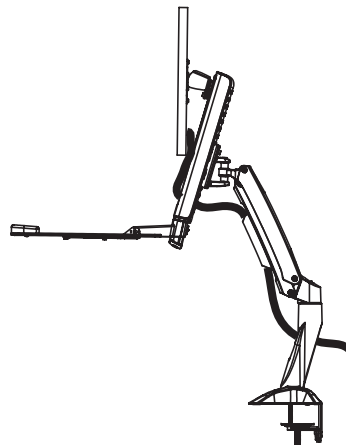
Spring Arm Tension Adjustment



Dual Monitor Tilt Tension Adjustment



Wire Management



Position Adjustment

