



www.Hallowell-List.com  
866-566-0500

## DigiTech™ Horizontal Digital Combination Lock INSTALLATION INSTRUCTIONS

### Special Notes

Before installing the DigiTech lock, insert the batteries and familiarise yourself the the operation operation and programming.

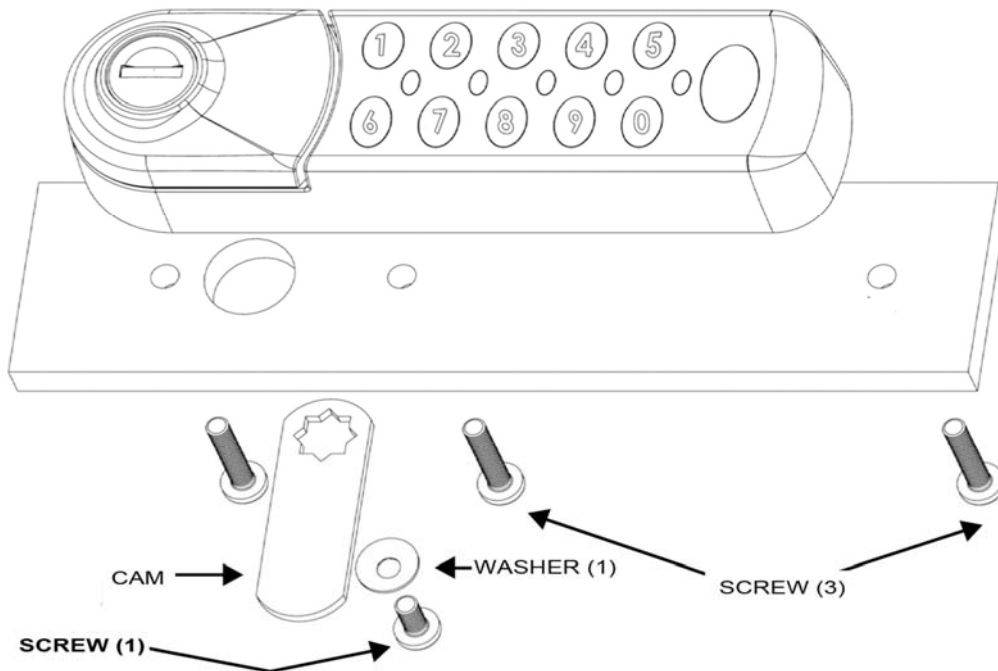
Unless manufactured to special order, the lock you are receiving is in day-use operating mode. In this mode, the user must enter a four-digit code (twice) in order to lock the lock. The lock can be opened at any time using the Master Code.

The default Master Code is **5 5 4 4 3 3 2 2**.

**This code is common to all stadard locks and it is very important that you set your own personal Master Code. Your lock is not secure until you have changed the Master Code. Keep a safe record of your master code as it is not possible to make any programming changes without it.**

See programming guide (over) to set you own codes.

**ENSURE BATTERIES ARE CORRECTLY INSTALLED BEFORE ATTACHING LOCK**



Attach lock to locker door with three screws.

Attach lock CAM to lock with washer and screw.



www.Hallowell-List.com  
866-566-0500

# DigiTech™

## Horizontal Digital Combination Lock

### OPERATING AND PROGRAMING INSTRUCTIONS

<u>FUNCTION</u>	<u>MODE</u>		<u>KEY SEQUENCE</u>	<u>NOTES</u>
	DAY-USE	PERMANENT		

#### MASTER CODE FUNCTIONS

CHANGE MASTER CODE	✓	✓	[logo] [Old Master Code] <b>65</b> [New Master Code] [New Master Code]	MASTER CODE IS <b>EIGHT DIGITS.</b>
CHANGE USER CODE		✓	[logo] [Master Code] <b>60</b> [New User Code]	USER CODE IS <b>FOUR DIGITS.</b>
DELETE USER CODE	✓		[Master Code]	OPENS LOCK AND DELETES USER CODE
SET / CHANGE SUB-MASTER CODE	✓	✓	[logo] [Master Code] <b>64</b> [New Sub-Master Code]	SUB-MASTER CODE IS <b>SIX DIGITS</b>
DELETE SUB-MASTER CODE	✓	✓	[logo] [Master Code] <b>62</b>	
OPEN LOCK	✓	✓	[Master Code]	DELETES USER CODE IN DAY-USE MODE
CLOSE LOCK		AUTO		RE-LOCKS AUTOMATICALLY AFTER 4 SECONDS
SET DAY-USE MODE		✓	[logo] [Master Code] <b>67</b>	DELETES ALL EXISTING USER CODES
SET PERMANENT MODE	✓		[logo] [Master Code] <b>61</b> [New User Code]	DELETES ALL EXISTING USER CODES
SET TECHNICIAN MODE	✓		[logo] [Master Code] <b>56</b> [New Technician Code]	TECHNICIAN CODE IS <b>SIX DIGITS</b>
REMOVE TECHNICIAN MODE	✓		[logo] [Master Code] <b>55</b>	
SET AUDIBLE BUTTONS ON	✓	✓	[logo] [Master Code] <b>50</b>	
SET AUDIBLE BUTTONS OFF	✓	✓	[logo] [Master Code] <b>54</b>	
SET AUTO-TIMED UNLOCK ON & SET TIME	✓		[logo] [Master Code] <b>58</b> [Time Code]	SEE NOTES ON TIMERS BELOW.
SET AUTO-TIMED UNLOCK OFF	✓		[logo] [Master Code] <b>52</b>	

#### SUB-MASTER CODE FUNCTIONS

CHANGE USER CODE		✓	[logo] [Sub-Master Code] <b>60</b> [New User Code]	USER CODE IS <b>FOUR DIGITS.</b>
CHANGE SUB MASTER CODE	✓	✓	[logo] [Sub-Master Code] <b>64</b> [New Sub-Master Code]	SUB-MASTER CODE IS <b>SIX DIGITS.</b>
DELETE USER CODE	✓		[Sub-Master Code]	OPENS LOCK AND DELETES USER CODE
OPEN LOCK	✓	✓	[Sub-Master Code]	DELETES USER CODE IN DAY-USE MODE
CLOSE LOCK		AUTO		RE-LOCKS AUTOMATICALLY AFTER 4 SECONDS

#### USER CODE FUNCTIONS

CHANGE USER CODE		✓	[logo] [Old User Code] <b>60</b> [New User Code] [New User Code]	USER CODE IS <b>FOUR DIGITS.</b>
OPEN LOCK	✓	✓	[User Code]	
CLOSE LOCK	✓		[User Code] [User Code]	USER CODE IS <b>FOUR DIGITS.</b>
CLOSE LOCK		AUTO		RE-LOCKS AUTOMATICALLY AFTER 4 SECONDS

#### TECHNICIAN CODE FUNCTIONS

OPEN LOCK	✓		[Technician Code]	DOES NOT DELETE USER CODE
CLOSE LOCK		AUTO		

#### FUNCTIONS AVAILABLE TO ALL CODES

BATTERY CHECK	✓	✓	[logo] [logo]	REPLACE BATTERIES IF RED LIGHT SHOWS
---------------	---	---	---------------	--------------------------------------

#### NOTES

ALL ACCEPTABLE BUTTON PRESSES ARE SIGNIFIED BY A GREEN LIGHT.

INCOMPLETE FUNCTIONS "TIME-OUT" AFTER 4 SECONDS.

ERRORS AND "TIME-OUTS" ARE SIGNIFIED BY FLASHING RED LIGHT.

FOLLOWING AN ERROR OR "TIME-OUT", UNIT REVERTS TO PREVIOUS SETTINGS.

TIME CODES ARE 3-DIGIT CODES CORRESPONDING TO THE NUMBER OF MINUTES.

#### TIMER FUNCTIONS - TIME CODE EXAMPLES

TIME CODE **665** 1 MIN

TIME CODE **656** 10 MINS

TIME CODE **646** 1/2 HR

TIME CODE **686** 1 HR

TIME CODE **976** 8 HRS

TIME CODE **206** 12 HRS

TIME CODE **111** 16 HRS 39 MINS ( MAXIMUM )

#### BATTERY CONDITION INDICATOR

FOUR GREEN LIGHTS - EXCELLENT

THREE GREEN LIGHTS - VERY GOOD

TWO GREEN LIGHTS - GOOD

ONE GREEN LIGHT - LOW

RED LIGHT -

CHANGE BATTERIES AS SOON AS POSSIBLE

FLASHING RED LIGHT PRIOR TO LOCK OR UNLOCK INDICATES LOW BATTERY VOLTAGE CHANGE BATTERIES AS SOON AS POSSIBLE

#### MASTER CODE (8 digits)

--	--	--	--	--	--	--	--

#### SUB-MASTER CODE (6 digits) (No Default)

--	--	--	--	--	--

#### USER CODE (4 digits)

--	--	--	--

**ENSURE THAT YOU CHANGE THE DEFAULT MASTER CODE TO YOUR OWN MASTER CODE AND KEEP A SAFE RECORD IT IS NOT POSSIBLE TO PROGRAM THE LOCK WITHOUT IT**