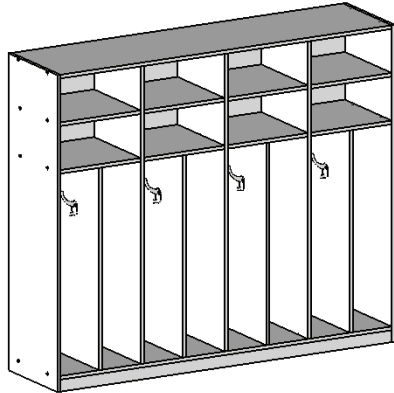




San Diego, CA 92110 USA  
www.ecr4kids.com

## 8 Section Stramline Coat Locker Model# ELR-17306, 17307



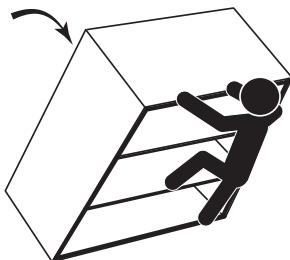
### **⚠ WARNING:**

#### Adult Assembly Required.

Two adults recommended.

- Contains small parts, sharp points and edges.
- Do not stand, sit, kneel, climb, lean or pull on unit for support.
- Never leave children unattended.
- Do not place unit near high heat or moisture.
- Adult supervision recommended.

Children climbing on furniture can lead to death or serious injury due to tipping secure unit to wall using appropriate hardware



#### TOOLS INCLUDED

- ◆ Hex Tool (1)



#### TOOLS NEEDED

- ✚ Phillips Screwdriver



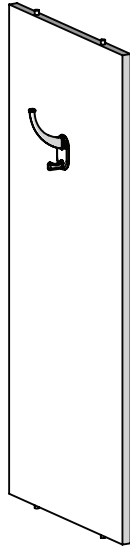
# Parts List

BEFORE ASSEMBLING, MAKE SURE YOU HAVE ALL THE PARTS

<b>A</b>  Left & Right Side Panels (1/1)	<b>F</b>  Grooved Divider(3)	<b>G</b>  Hanger Hook Divider (4)
<b>B</b>  Top Panel (1)	<b>H</b>  Back Panel (4)	<b>I</b>  Hex Screws (22)  <i>Use the Hex Tool</i>
<b>C</b>  Bottom Shelf (1)  <i>Batch ID Sticker located on underside</i>	<b>J</b>  Cam Posts & Cam Locks (6/6)  <i>Use a Phillips Screwdriver</i>	
<b>D</b>  Upper Shelf (1)	<b>K</b>  Hanger Hooks (8)	<b>L</b>  Hanger Hook Posts & Screws (8/8)  <i>Use a Phillips Screwdriver</i>
<b>E</b>  Lower Shelf (1)		

## 1 Install the Hanger Hooks

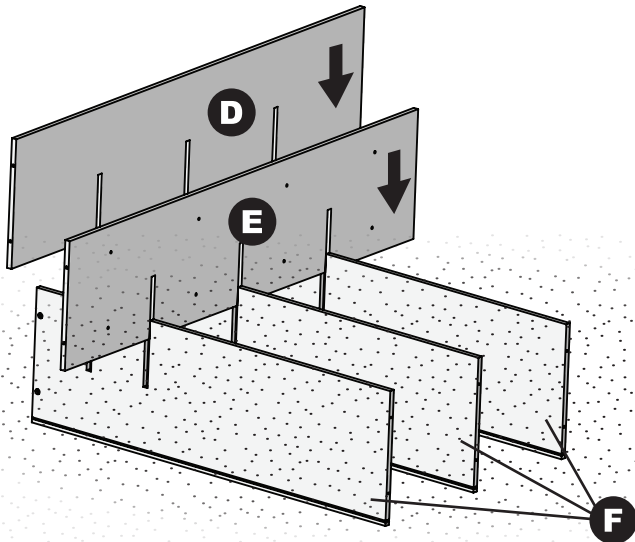
Install two Hanger Hooks (K) to each Hanger Hook Divider (G) by threading the Hanger Hook Posts and Screws (L1/L2) together from both sides of the divider.



## 2 Insert the Upper and Lower Shelf

Align the slits on the Grooved Dividers (F) with the slits on the Upper (D) and Lower Shelf (E) as shown, and slide together until seated.

*Tip: Dowel holes on Lower Shelf (E) should be facing down*



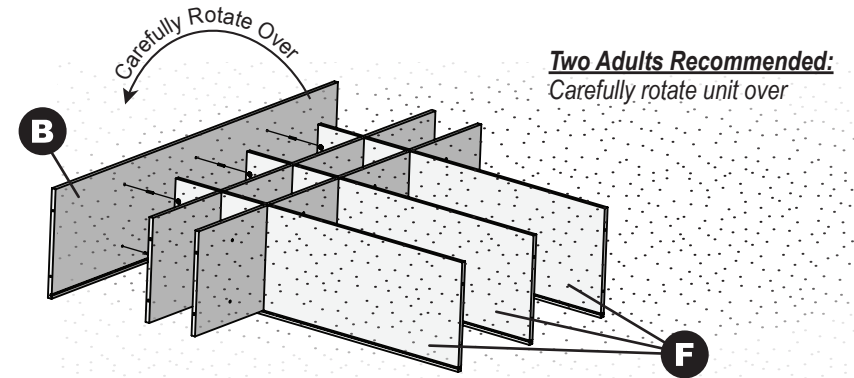
## 3 Connect the Top Panel

Place two Cam Locks (J2) into the recessed holes on each Grooved Divider (F), with the arrow facing the closest edge.

Install six Cam Posts (J1) into the threaded plastic inserts on the underside of Top Panel (B) with a Phillips screwdriver. **Reminder:** Do not overtighten, as the plastic threads can be stripped.

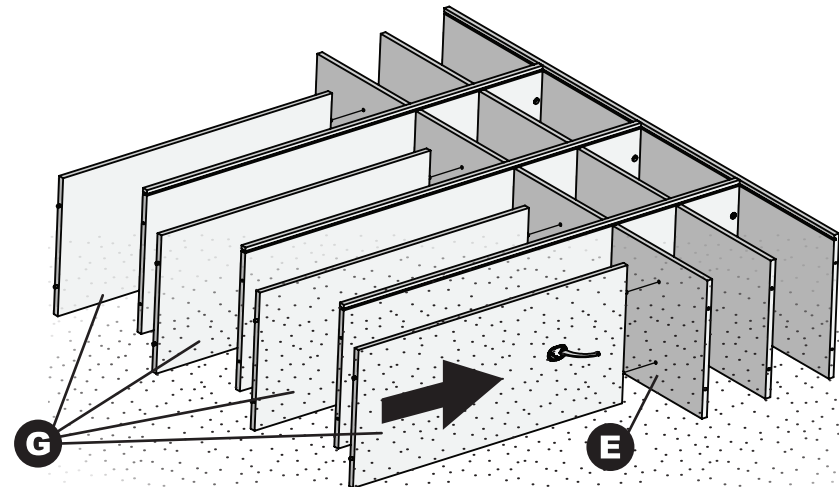
Insert the Top Panel (B) Cam Posts into the holes on the top edge of the Grooved Dividers (F).

Turn the Cam Locks clockwise with a Phillips screwdriver to lock the Grooved Dividers (F) onto the posts.



## 4 Insert the Hanger Hook Dividers

Insert the pre-installed wooden dowels on Hanger Hook Dividers (G) into the corresponding holes on the underside of Lower Shelf (E)

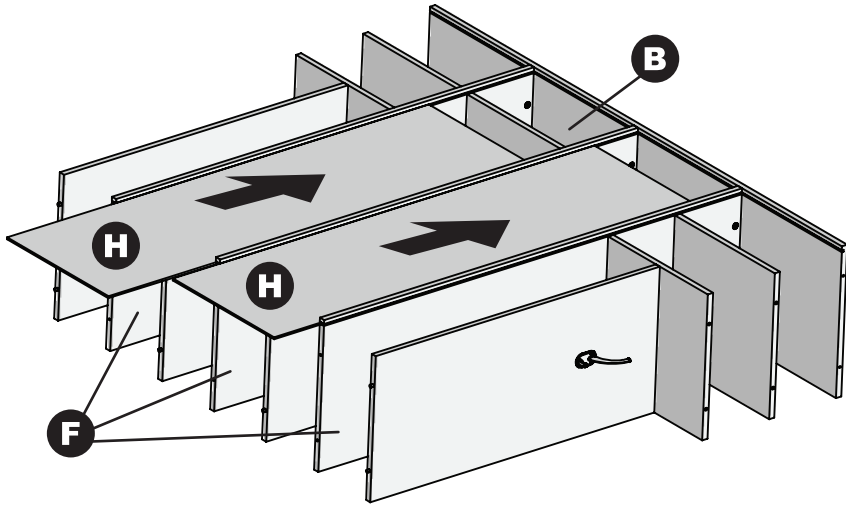


See Next Page

## 5 Slide the Center Back Panels into Place

Slide two **Back Panels (H)** into the grooves on the **Grooved Dividers (F)** as shown, until fully seated into the groove on the underside of the **Top Panel (B)**.

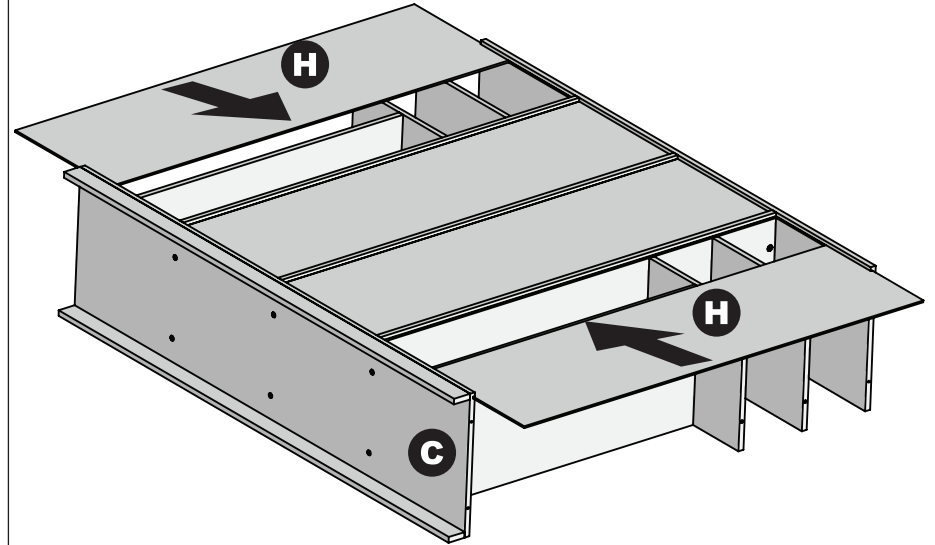
*Tip: If the **Back Panels (H)** do not slide in easily, wiggle the panels while pushing into place.*



## 7 Slide the Outer Back Panels into Place

Slide the remaining **Back Panels (H)** into the grooves on the **Top Panel (B)** and **Bottom Shelf (C)** as shown, until fully seated into the groove on the inside of the **Grooved Dividers (F)**.

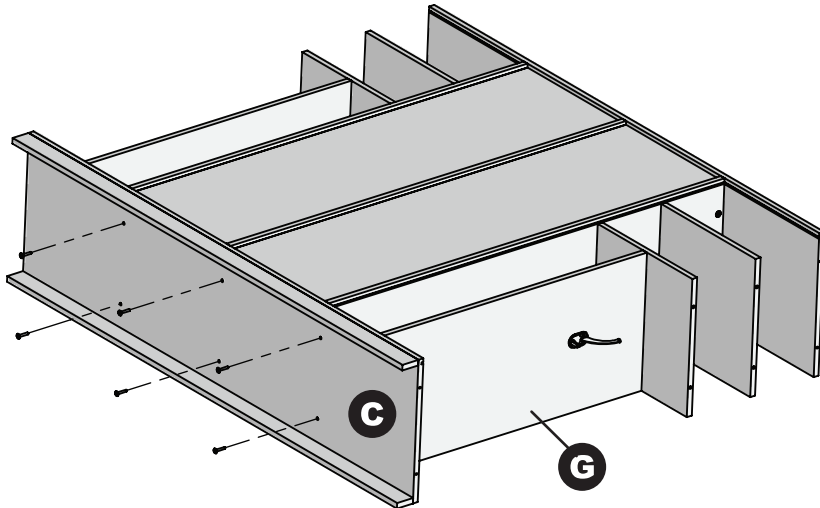
*Tip: If the **Back Panels (H)** do not slide in easily, wiggle the panels while pushing into place.*



## 6 Install the Bottom Shelf

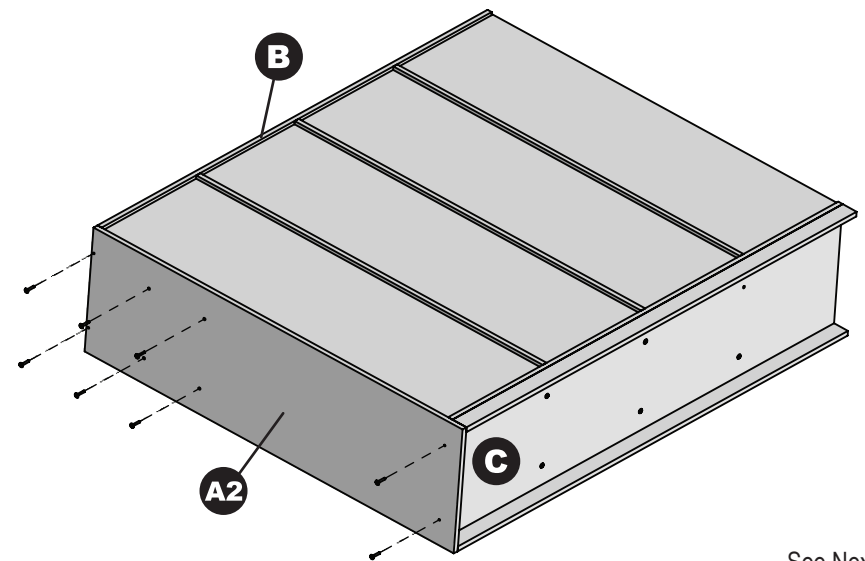
Insert the pre-installed wooden dowels on **Hanger Hook Dividers (G)** into the corresponding holes on the topside of **Bottom Shelf (C)**.

Install the **Bottom Shelf (C)** onto the **Grooved Dividers (F)** with six **Hex Screws (I)** using the Hex Tool.



## 8 Install the Right Side Panel

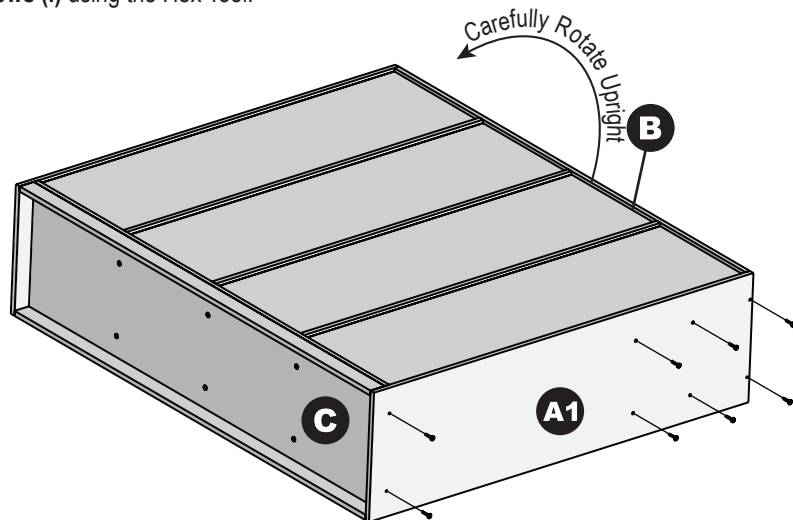
Install the **Right Side Panel (A2)** onto the **Top Panel (B)** and **Bottom Shelf (C)** with eight **Hex Screws (I)** using the Hex Tool.



See Next Page

## 9 Install the Left Side Panel

Install the **Left Side Panel (A1)** onto the **Top Panel (B)** and **Bottom Shelf (C)** with eight **Hex Screws (I)** using the Hex Tool.



***Two Adults Recommended:***  
*Carefully rotate unit upright*



We appreciate your purchase of the 8 Section Streamline Coat Locker. ECR4KIDS has made every effort to supply a quality product that with proper use and care, will provide many years of trouble-free use.

If you experience any difficulties with this product, please email us at [ecrcs@ecr4kids.com](mailto:ecrcs@ecr4kids.com) or call toll-free at (855) ECR-4KIDS (Monday - Friday, 7:00am - 4:00pm Pacific Standard Time)

**Please do not return** to place of purchase as ECR4KIDS will replace defective part(s) and/or product.

**Warranty:** Visit our website for product specific warranty information at: [www.ecr4kids.com](http://www.ecr4kids.com)

To prevent a tip-over tragedy:

Buy and install low-cost anchoring devices that can prevent TVs, dressers, bookcases and other furniture from tipping. For more information please visit [www.ecr4kids.com/resources](http://www.ecr4kids.com/resources)

### **Care and Cleaning**

Clean wood with a damp cloth or sponge using warm water and mild soap. Wipe dry.

Do not place near heat, moisture or vaporizer which may cause wood to warp and peel.

Check for loose or worn parts periodically and tighten or replace as necessary.

**Record the manufacture date here. Information is located on the Batch ID sticker and on the shipping carton. Save this sheet in an accessible place.**

**Model Number:** ELR-17306, 17307

**Factory Code:** EP

**Manufacture Date:** \_\_\_\_\_

**Batch ID Number:** ECR2016-1184  
(Located on Part #)