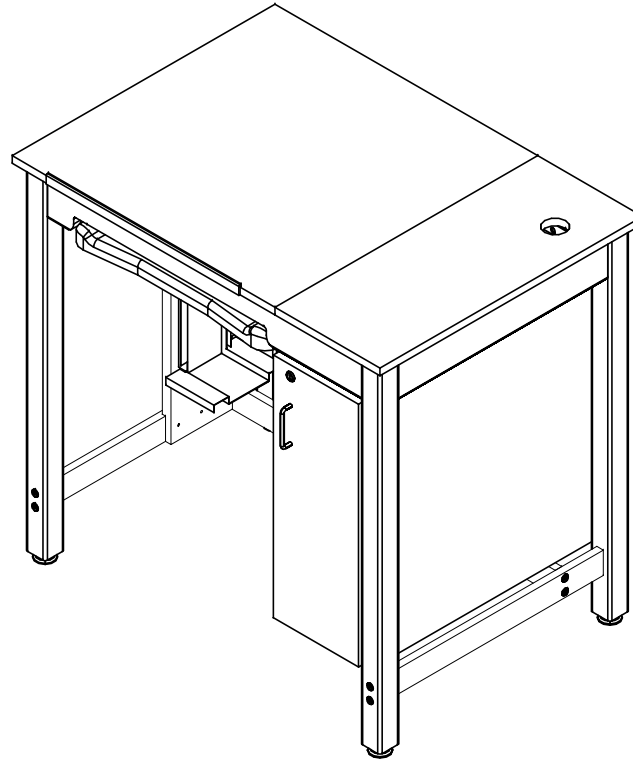


DRAWING TABLE SYSTEM

DT-32A, DT-62SA, & CDTC-72
ASSEMBLY INSTRUCTIONS



NOTE:

1. MODEL VIEWS MAY NOT REPRESENT EXACT MODEL PURCHASED

DWN BY:	EMK	DWN DATE:	1/13/15
APR BY:		DATE APR:	
APR BY:		DATE APR:	

UNLESS OTHERWISE SPECIFIED
DIMENSION ARE IN INCHES
CABINET SQUARENESS ± .0625
FRACTIONAL VALUES ± 1/32"
- ALL VALUES ± OVERALL -



300 South Krueger Street
Suring, WI 54174
diversifiedwoodcrafts.com

TITLE:
DRAWING TABLE SYSTEM - BOARD STORAGE
ASSEMBLY INSTRUCTIONS

REV.	DESCRIPTION	DATE	NAME	ECN NO.
A	CREATED ASSEMBLY INSTRUCTIONS	1/13/15	EMK	-
REVISION LEVEL				

THIS DRAWING IS THE SOLE PROPERTY OF
DIVERSIFIED WOOD CRAFTS. IT MAY NOT
BE ALTERED OR CHANGED WITHOUT
PERMISSION

DRAWING NUMBER:	SCALE:	SHEET:	REVISION:
DT-32A, 62SA, & CDTC-72	NTS	1 OF 14	REV A

TOOLS REQUIRED

1/2" WRENCH
1/2" SOCKET AND TORQUE WRENCH - OPTIONAL
4MM ALLEN WRENCH
SCREW DRIVER

ASSEMBLY COMPONENTS

ITEMS INCLUDED	PART #	PART DESCRIPTION	QTY
TOP AND APRON ASSEMBLY	N/A	TOP ASSEMBLY (FACTORY ASSEMBLED)	1
CABINET	N/A	CABINET - 10.625"W X 26.50"D X 27"H	1
LEGS	501102	LEG,MPL 2.25X2.25X38.25	4
LEG HARDWARE KIT	520001-4	LEG HARDWARE KIT, 4 LEGS	1
LEG BRACE	N/A	LEG BRACE - 24.00" LONG	2
STRETCHER	N/A	STRETCHER - 37.50" LONG	1
CONFIRMATS - LEGS	227578	SCREW,7MMX90MM,CONN,ALLENHEAD, BLACK	8
CONFIRMATS - STRETCHER	228564	SCREW,7MMX50MM,CONN,ALLENHEAD, BLACK	4
BRACKETS - CABINET	100355	BRACKET,RAIL 1.25X1.25X4.25	3
SCREWS - BRACKET	100649	SCREW,#8X3/4 PHIL TRUSS HEAD SMS	12
PENCIL LEDGE	14-0027	PENCIL LEDGE	1
SCREWS -PENCIL LEDGE	236263	SCREW,#6X3/4 TRUSS HEAD,QUAD,BLACK	3
CPU SUPPORT	N/A	SUPPORT,CPU,EB4,1.00X7.00X32.50	1
SCREWS - CPU SUPPORT	100478	SCREW,#8X1 1/4 SQ. WASHER FLAT HEAD	6
CPU BRACKET	232171	BRACKET,MOUNTING,CPU UNIT	1
KEYBOARD TRAY KIT	214416	TRAY,KEYBOARD,SLIDE OUT,#KVKD100	1
MONITOR BASE ASSEMBLY	243335	HAFELE MONITOR BASE ASSEMBLY	1
MONITOR ARM	15-0185	HAFELE FLAT SCREEN ARM	1

NOTE:

- **XX** INDICATES ITEMS ONLY USED FOR THE CDTC-72.

DWN BY: EMK	DWN DATE: 1/13/15
APR BY:	DATE APR:
APR BY:	DATE APR:

UNLESS OTHERWISE SPECIFIED
DIMENSION ARE IN INCHES
CABINET SQUARENESS ± .0625
FRACTIONAL VALUES ± 1/32"
- ALL VALUES ± OVERALL -



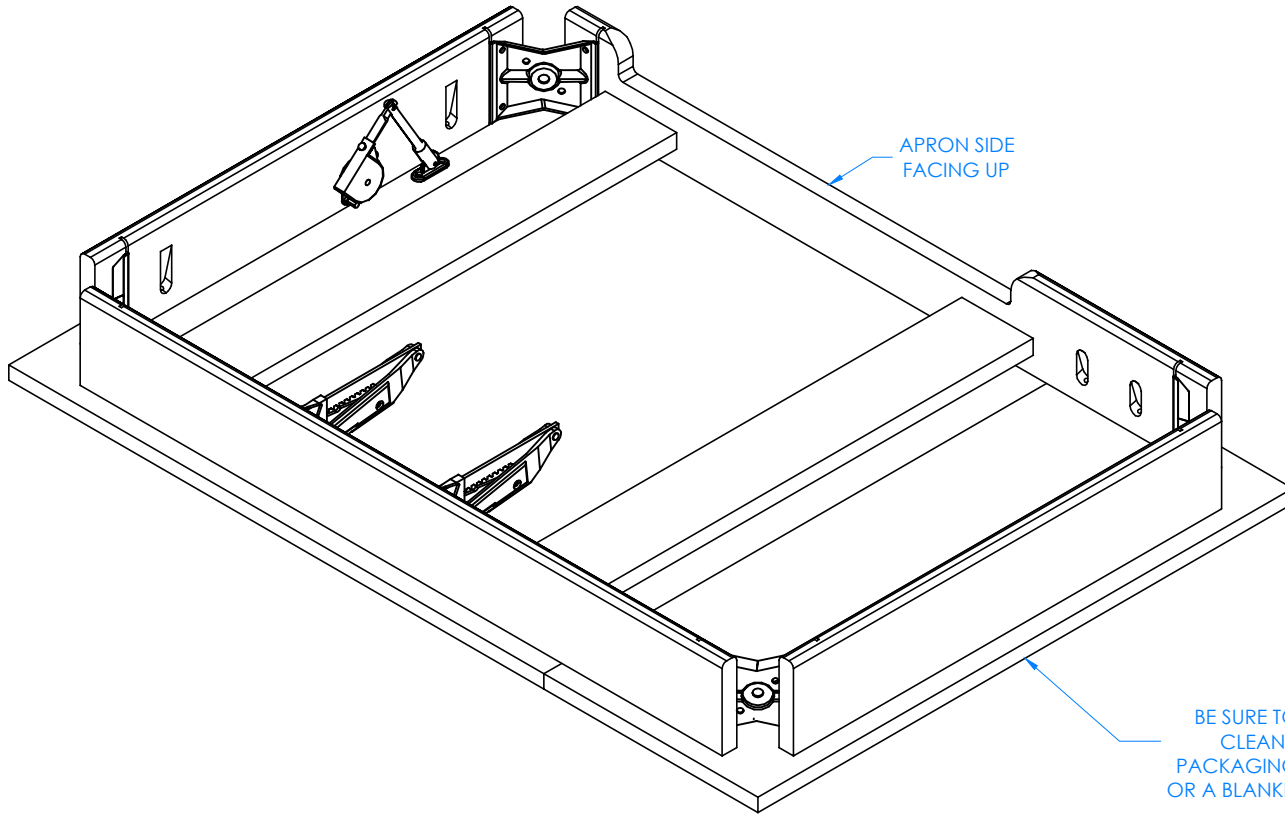
300 South Krueger Street
Suring, WI 54174
diversifiedwoodcrafts.com

TITLE:
**DRAWING TABLE SYSTEM - BOARD STORAGE
TOOLS AND ASSEMBLY COMPONENTS**

A	CREATED ASSEMBLY INSTRUCTIONS	1/13/15	EMK	-
REV.	DESCRIPTION	DATE	NAME	ECH NO.

THIS DRAWING IS THE SOLE PROPERTY OF
DIVERSIFIED WOOD CRAFTS. IT MAY NOT
BE ALTERED OR CHANGED WITHOUT
PERMISSION

DRAWING NUMBER: DT-32A, 62SA, & CDTC-72	SCALE: NTS	SHEET: 2 OF 14	REVISION: REV A
---	---------------	-------------------	--------------------



APRON SIDE
FACING UP

STEP 1:

- LAY APRON ASSEMBLY ON FLOOR WITH APRON SIDE FACING UP.

****NOTE****
BE SURE TOP ASSEMBLY IS ON A
CLEAN SURFACE SUCH AS
PACKAGING FOAM, CARDBOARD,
OR A BLANKET TO PREVENT DAMAGE

NOTE:

-

DWN BY:	EMK	DWN DATE:	1/13/15
APR BY:		DATE APR:	
APR BY:		DATE APR:	

UNLESS OTHERWISE SPECIFIED
DIMENSION ARE IN INCHES
CABINET SQUARENESS ± .0625
FRACTIONAL VALUES ± 1/32"
- ALL VALUES ± OVERALL -



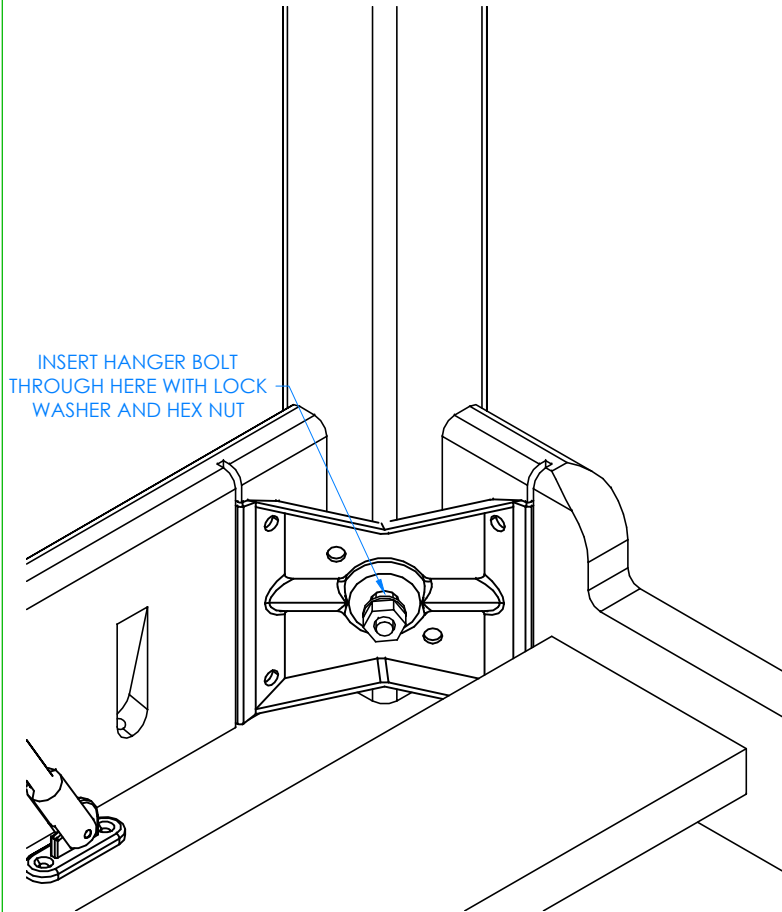
300 South Krueger Street
Suring, WI 54174
diversifiedwoodcrafts.com

TITLE:
DRAWING TABLE SYSTEM - BOARD STORAGE
ASSEMBLY INSTRUCTIONS

REV.	DESCRIPTION	DATE	NAME	ECH NO.
A	CREATED ASSEMBLY INSTRUCTIONS	1/13/15	EMK	-
REVISION LEVEL				

THIS DRAWING IS THE SOLE PROPERTY OF
DIVERSIFIED WOOD CRAFTS. IT MAY NOT
BE ALTERED OR CHANGED WITHOUT
PERMISSION

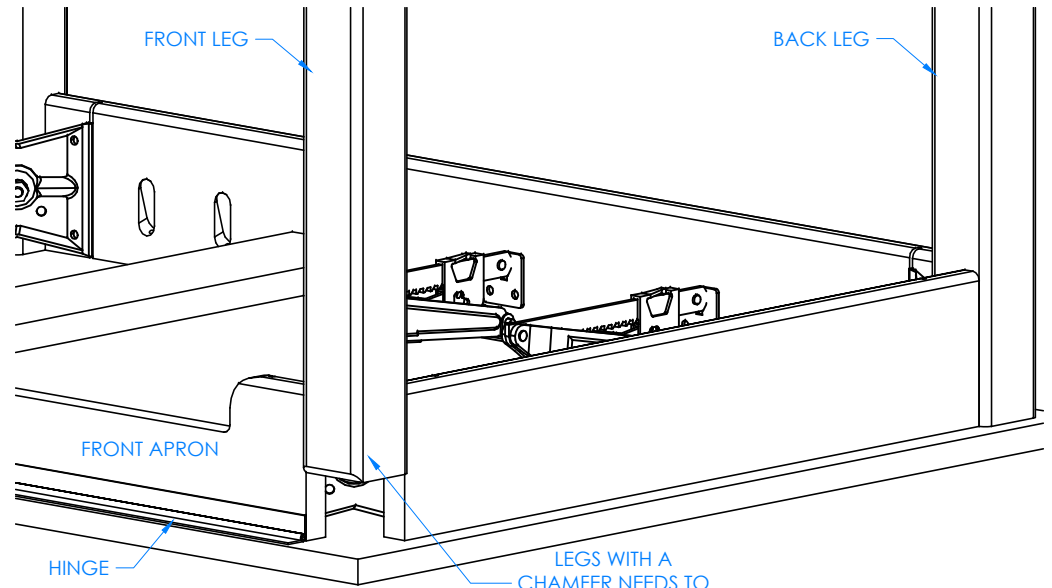
DRAWING NUMBER:	SCALE:	SHEET:	REVISION:
DT-32A, 62SA, & CDTC-72	NTS	3 OF 14	REV A



CLOSE UP OF CORNER LEG ASSEMBLY

STEP 2:

- INSERT HANGER BOLT ON ONE LEG THROUGH THE CORNER BRACKET AND INSERT LOCK WASHER AND HEX NUT.
- SCREW ON NUT USING A 1/2" WRENCH OR 1/2" SOCKET AND TORQUE WRENCH. DO NOT TIGHTEN ALL THE WAY.
- REPEAT FOR THE OTHER LEG.
- THE LEGS WITH A CHAMFER MUST GO ON THE FRONT OF THE TABLE WITH CHAMFERED EDGE FACING OUT.



CLOSE UP OF LEG WITH A CHAMFER

NOTE:

- 1.

DWN BY:	EMK	DWN DATE:	1/13/15
APR BY:		DATE APR:	
APR BY:		DATE APR:	

UNLESS OTHERWISE SPECIFIED
DIMENSION ARE IN INCHES
CABINET SQUARENESS ± .0625
FRACTIONAL VALUES ± 1/32"
- ALL VALUES ± OVERALL -



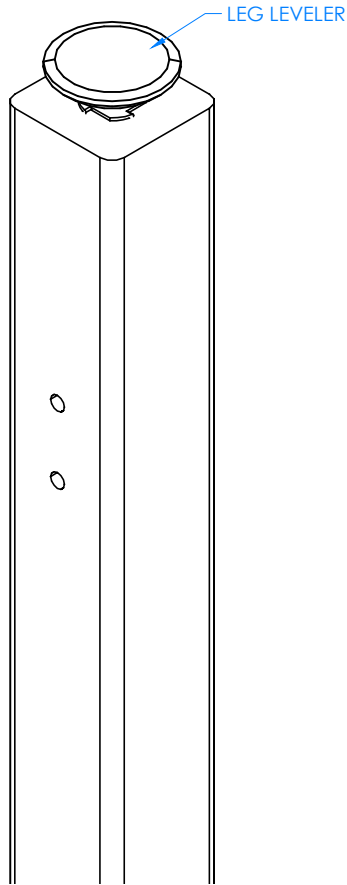
300 South Krueger Street
Suring, WI 54174
diversifiedwoodcrafts.com

TITLE:
DRAWING TABLE SYSTEM - BOARD STORAGE
ASSEMBLY INSTRUCTIONS

REV.	DESCRIPTION	DATE	NAME	ECH NO.
A	CREATED ASSEMBLY INSTRUCTIONS	1/13/15	EMK	-
REVISION LEVEL				

THIS DRAWING IS THE SOLE PROPERTY OF
DIVERSIFIED WOOD CRAFTS. IT MAY NOT
BE ALTERED OR CHANGED WITHOUT
PERMISSION

DRAWING NUMBER:	SCALE:	SHEET:	REVISION:
DT-32A, 62SA, & CDTC-72	NTS	4 OF 14	REV A



CLOSE UP OF LEG LEVELER ASSEMBLY

STEP 3:

- SCREW LEG LEVELERS INTO T-NUT ON BOTTOM OF LEGS.

NOTE:

- 1.

DWN BY:	EMK	DWN DATE:	1/13/15
APR BY:		DATE APR:	
APR BY:		DATE APR:	

UNLESS OTHERWISE SPECIFIED
DIMENSION ARE IN INCHES
CABINET SQUARENESS ± .0625
FRACTIONAL VALUES ± 1/32"
- ALL VALUES ± OVERALL -



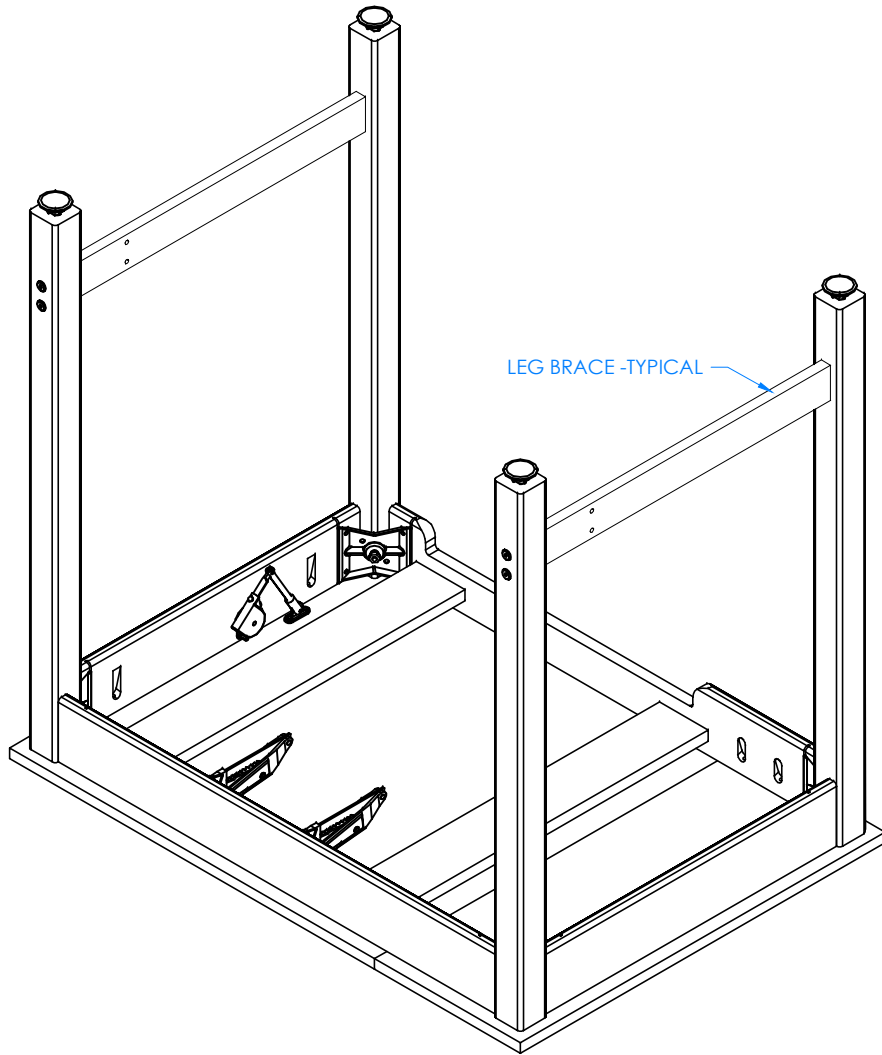
300 South Krueger Street
Suring, WI 54174
diversifiedwoodcrafts.com

TITLE:
DRAWING TABLE SYSTEM - BOARD STORAGE
ASSEMBLY INSTRUCTIONS

REV.	DESCRIPTION	DATE	NAME	ECN NO.
A	CREATED ASSEMBLY INSTRUCTIONS	1/13/15	EMK	-
REVISION LEVEL				

THIS DRAWING IS THE SOLE PROPERTY OF
DIVERSIFIED WOOD CRAFTS. IT MAY NOT
BE ALTERED OR CHANGED WITHOUT
PERMISSION

DRAWING NUMBER:	SCALE:	SHEET:	REVISION:
DT-32A, 62SA, & CDTC-72	NTS	5 OF 14	REV A



STEP 4:

- ATTACH BRACES TO LEGS.
- INSERT CONFIRMATS INTO ONE LEG AND SCREW INTO BRACE.
- REPEAT FOR OTHER LEGS.
- MAKE SURE BRACES ARE STRAIGHT AND ALL CONFIRMATS ARE SECURE.

NOTE:

1.

DWN BY:	EMK	DWN DATE:	1/13/15
APR BY:		DATE APR:	
APR BY:		DATE APR:	

UNLESS OTHERWISE SPECIFIED
DIMENSION ARE IN INCHES
CABINET SQUARENESS ± .0625
FRACTIONAL VALUES ± 1/32"
- ALL VALUES ± OVERALL -



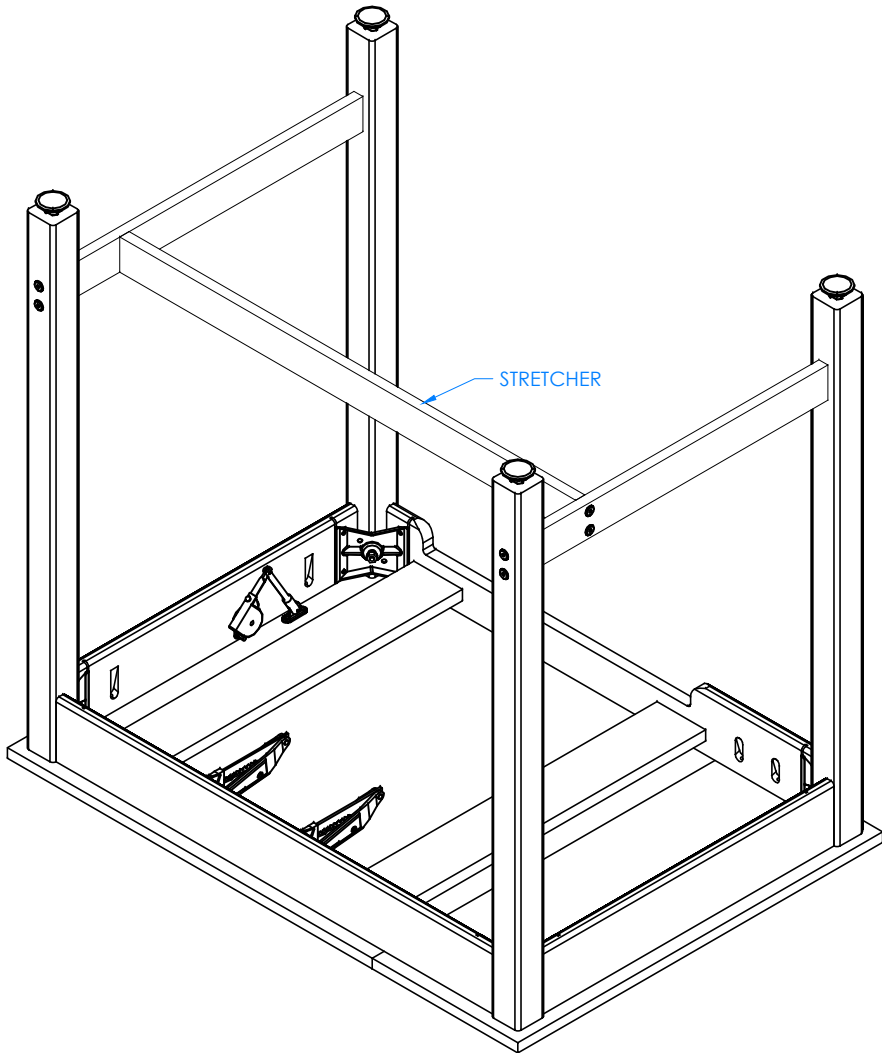
300 South Krueger Street
Suring, WI 54174
diversifiedwoodcrafts.com

TITLE:
DRAWING TABLE SYSTEM - BOARD STORAGE
ASSEMBLY INSTRUCTIONS

REV.	DESCRIPTION	DATE	NAME	ECH NO.
A	CREATED ASSEMBLY INSTRUCTIONS	1/13/15	EMK	-
REVISION LEVEL				

THIS DRAWING IS THE SOLE PROPERTY OF
DIVERSIFIED WOOD CRAFTS. IT MAY NOT
BE ALTERED OR CHANGED WITHOUT
PERMISSION

DRAWING NUMBER:	SCALE:	SHEET:	REVISION:
DT-32A, 62SA, & CDTC-72	NTS	6 OF 14	REV A



STEP 5:

- ATTACH STRETCHER TO BRACES WITH HARDWARE PROVIDED.
- GO BACK TO STEP 2 AND TIGHTEN UP THE HANGER BOLTS FOR EACH LEG USING A 1/2" WRENCH OR 1/2" SOCKET AND TORQUE WRENCH, TO A MINIMUM OF 12FT LBS BUT NOT TO EXCEED 17FT LBS.

NOTE:

1.

DWN BY:	EMK	DWN DATE:	1/13/15
APR BY:		DATE APR:	
APR BY:		DATE APR:	

UNLESS OTHERWISE SPECIFIED
DIMENSION ARE IN INCHES
CABINET SQUARENESS ± .0625
FRACTIONAL VALUES ± 1/32"
- ALL VALUES ± OVERALL -



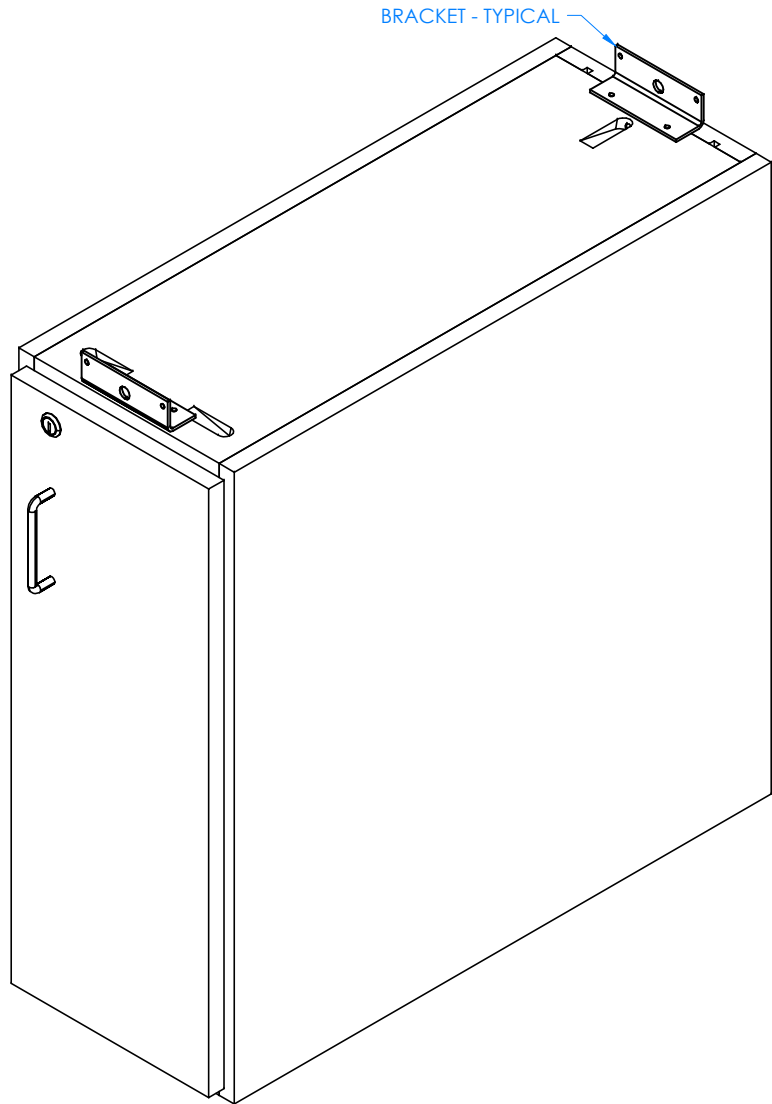
300 South Krueger Street
Suring, WI 54174
diversifiedwoodcrafts.com

TITLE:
DRAWING TABLE SYSTEM - BOARD STORAGE
ASSEMBLY INSTRUCTIONS

REV.	DESCRIPTION	DATE	NAME	ECH NO.
A	CREATED ASSEMBLY INSTRUCTIONS	1/13/15	EMK	-
REVISION LEVEL				

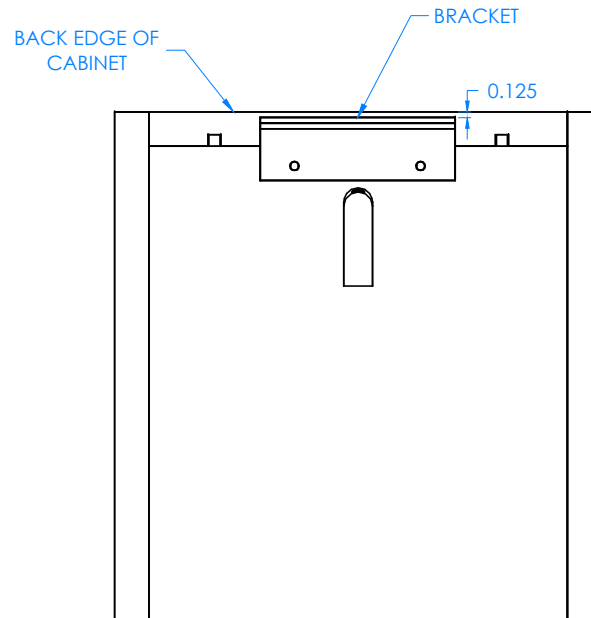
THIS DRAWING IS THE SOLE PROPERTY OF
DIVERSIFIED WOOD CRAFTS. IT MAY NOT
BE ALTERED OR CHANGED WITHOUT
PERMISSION

DRAWING NUMBER:	SCALE:	SHEET:	REVISION:
DT-32A, 62SA, & CDTC-72	NTS	7 OF 14	REV A



STEP 6:

- ATTACH TWO BRACKETS TO TOP OF CABINET WITH HARDWARE PROVIDED.
- PLACE BRACKETS SLIGHTLY BACK FROM EDGE OF CASE.
- THIS WILL PREVENT BRACKETS FROM HITTING APRONS WHEN YOU LOWER CASE INTO PLACE.



TOP OF CABINET SHOWN

NOTE:

- 1.

DWN BY:	EMK	DWN DATE:	1/13/15
APR BY:		DATE APR:	
APR BY:		DATE APR:	



300 South Krueger Street
Suring, WI 54174
diversifiedwoodcrafts.com

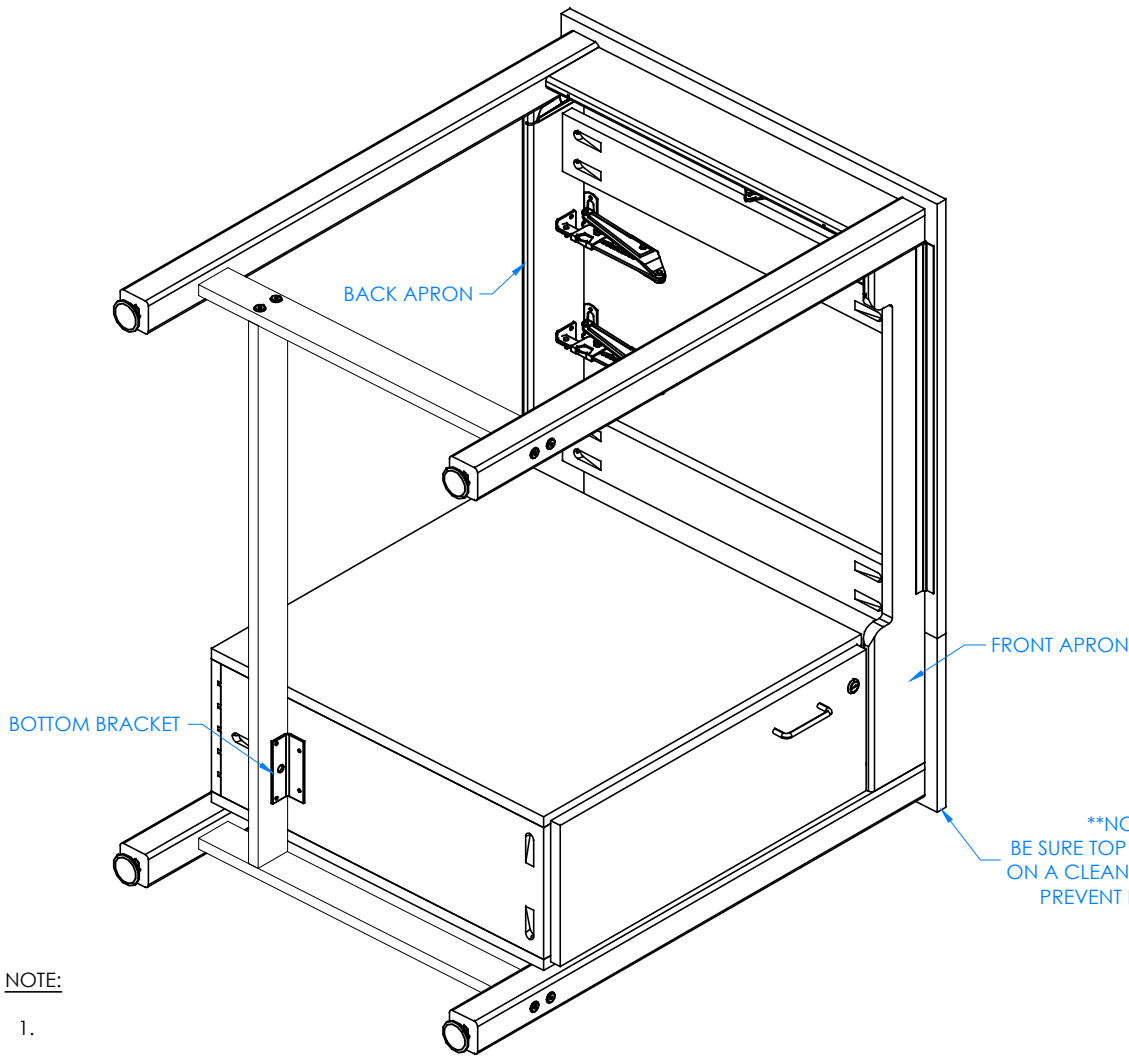
UNLESS OTHERWISE SPECIFIED
DIMENSION ARE IN INCHES
CABINET SQUARENESS ± .0625
FRACTIONAL VALUES ± 1/32"
- ALL VALUES ± OVERALL -

TITLE:
DRAWING TABLE SYSTEM - BOARD STORAGE
ASSEMBLY INSTRUCTIONS

REV.	DESCRIPTION	DATE	NAME	ECN NO.
A	CREATED ASSEMBLY INSTRUCTIONS	1/13/15	EMK	-
REVISION LEVEL				

THIS DRAWING IS THE SOLE PROPERTY OF
DIVERSIFIED WOOD CRAFTS. IT MAY NOT
BE ALTERED OR CHANGED WITHOUT
PERMISSION

DRAWING NUMBER:	SCALE:	SHEET:	REVISION:
DT-32A, 62SA, & CDTC-72	NTS	8 OF 14	REV A



STEP 7:

- WITH HELP FROM MULTIPLE PEOPLE, TIP TABLE ON ITS SIDE SO RIGHT SIDE OF TABLE IS ON FLOOR.
- FACE DOOR ON CABINET TO THE FRONT OF TABLE AND THE TWO TOP BRACKETS TOWARDS TABLE TOP.
- FIT BOTH BRACKETS INSIDE FRONT AND BACK APRONS.
- LOWER CABINET ONTO TABLE LEGS.
- SCREW THE LAST BRACKET ONTO STRETCHER AND BOTTOM OF CABINET WITH HARDWARE PROVIDED.

****NOTE****
BE SURE TOP ASSEMBLY IS ON A CLEAN SURFACE TO PREVENT DAMAGE

NOTE:

1.

DWN BY:	EMK	DWN DATE:	1/13/15
APR BY:		DATE APR:	
APR BY:		DATE APR:	

UNLESS OTHERWISE SPECIFIED DIMENSION ARE IN INCHES
CABINET SQUARENESS ± .0625
FRACTIONAL VALUES ± 1/32"
- ALL VALUES ± OVERALL -



300 South Krueger Street
Suring, WI 54174
diversifiedwoodcrafts.com

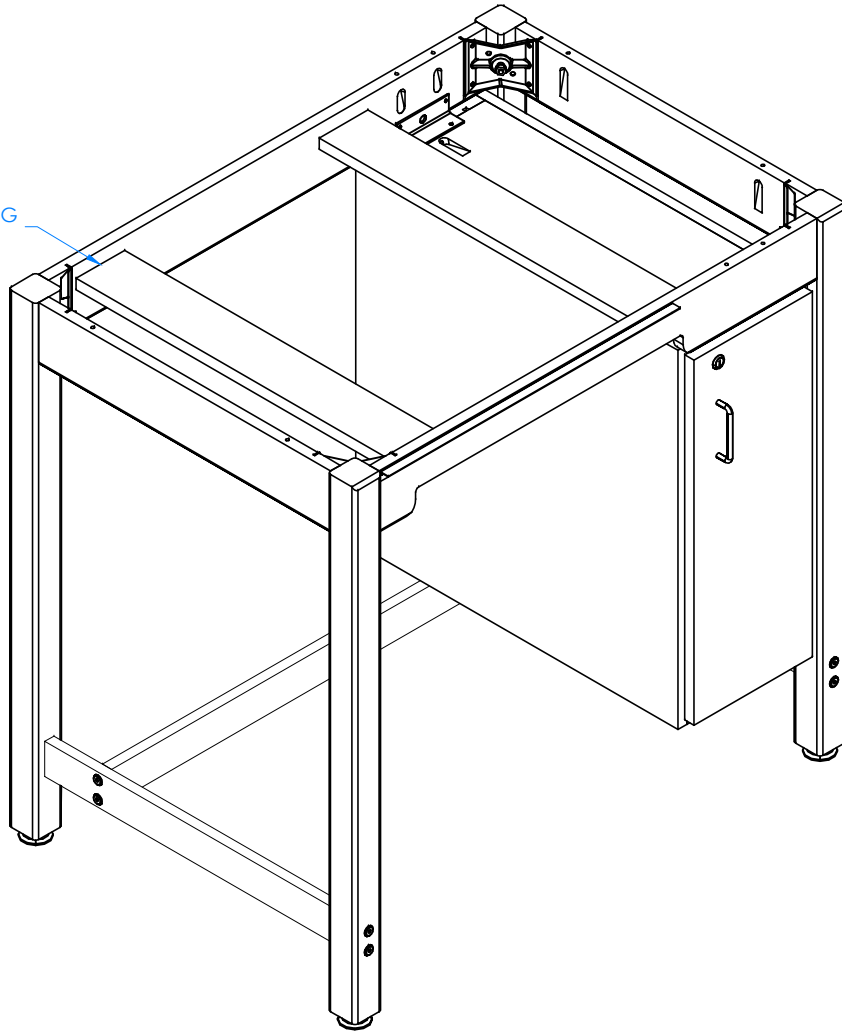
TITLE:
DRAWING TABLE SYSTEM - BOARD STORAGE
ASSEMBLY INSTRUCTIONS

REV.	DESCRIPTION	DATE	NAME	ECH NO.
A	CREATED ASSEMBLY INSTRUCTIONS	1/13/15	EMK	-
REVISION LEVEL				

THIS DRAWING IS THE SOLE PROPERTY OF DIVERSIFIED WOOD CRAFTS. IT MAY NOT BE ALTERED OR CHANGED WITHOUT PERMISSION

DRAWING NUMBER:	SCALE:	SHEET:	REVISION:
DT-32A, 62SA, & CDTC-72	NTS	9 OF 14	REV A

KEYBOARD MOUNTING BOARD - TYPICAL



STEP 8:

- ATTACH TWO BRACKETS ON CABINET TO APRON ASSEMBLY.
- REMOVING ONE OF THE KEYBOARD MOUNTING BOARD WILL MAKE IT EASIER TO FASTEN BRACKETS TO APRON ASSEMBLY.
- HOLES NEED TO BE PRE-DRILLED BEFORE ATTACHING BRACKETS TO APRONS.

NOTE:

1.

TOPS REMOVED TO SHOW CLARITY

DWN BY:	EMK	DWN DATE:	1/13/15
APR BY:		DATE APR:	
APR BY:		DATE APR:	

UNLESS OTHERWISE SPECIFIED DIMENSION ARE IN INCHES
 CABINET SQUARENESS ± .0625
 FRACTIONAL VALUES ± 1/32"
 - ALL VALUES ± OVERALL -



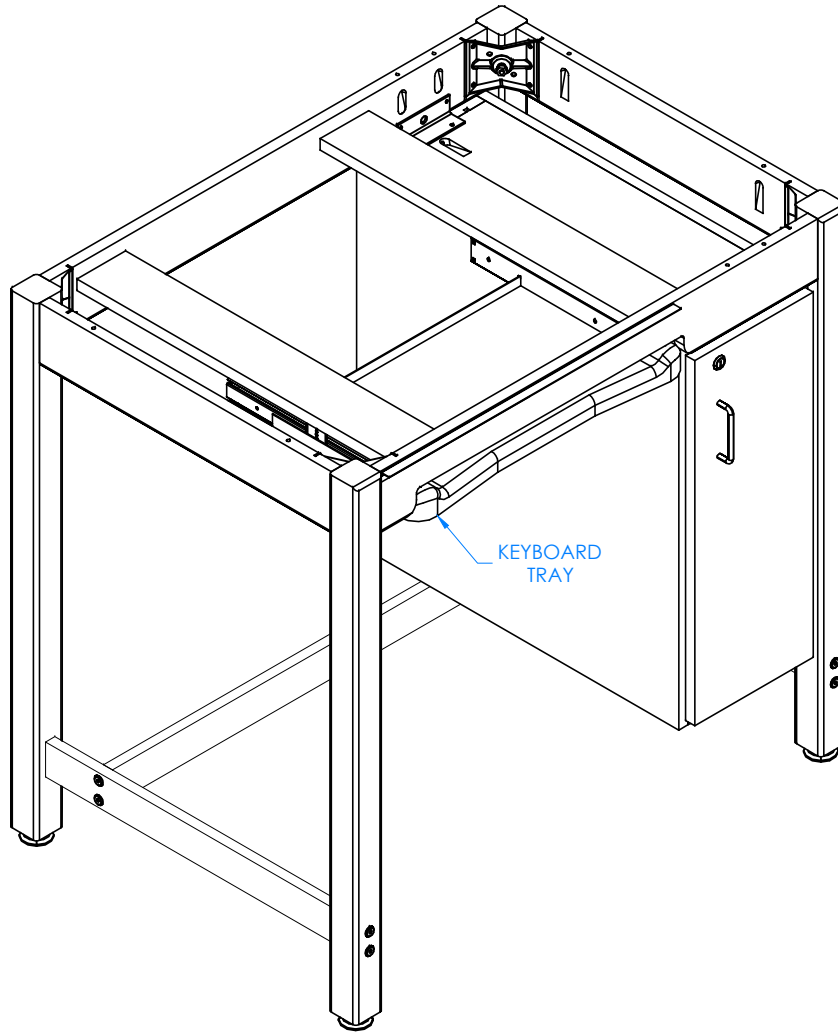
300 South Krueger Street
 Suring, WI 54174
 diversifiedwoodcrafts.com

TITLE:
 DRAWING TABLE SYSTEM - BOARD STORAGE
 ASSEMBLY INSTRUCTIONS

REV.	DESCRIPTION	DATE	NAME	ECH NO.
A	CREATED ASSEMBLY INSTRUCTIONS	1/13/15	EMK	-
REVISION LEVEL				

THIS DRAWING IS THE SOLE PROPERTY OF
 DIVERSIFIED WOOD CRAFTS. IT MAY NOT
 BE ALTERED OR CHANGED WITHOUT
 PERMISSION

DRAWING NUMBER:	SCALE:	SHEET:	REVISION:
DT-32A, 62SA, & CDTC-72	NTS	10 OF 14	REV A



STEP 9:

- IF YOUR TABLE DOES NOT HAVE A KEYBOARD TRAY OR A CPU SUPPORT, SKIP TO STEP 12.
- ATTACH KEYBOARD TRAY TO THE TWO KEYBOARD MOUNTING BOARDS WITH THE HARDWARE PROVIDED.
- IT MAY BE EASIER TO ATTACH KEYBOARD TRAY WHILE TABLE IS ON ITS TOP.
- ATTACH THE MONITOR POST TO TOP USING HARDWARE PROVIDED (NOT SHOWN).

NOTE:

1.

TOPS REMOVED TO SHOW CLARITY

DWN BY:	EMK	DWN DATE:	1/13/15
APR BY:		DATE APR:	
APR BY:		DATE APR:	

UNLESS OTHERWISE SPECIFIED
DIMENSION ARE IN INCHES
CABINET SQUARENESS ± .0625
FRACTIONAL VALUES ± 1/32"
- ALL VALUES ± OVERALL -



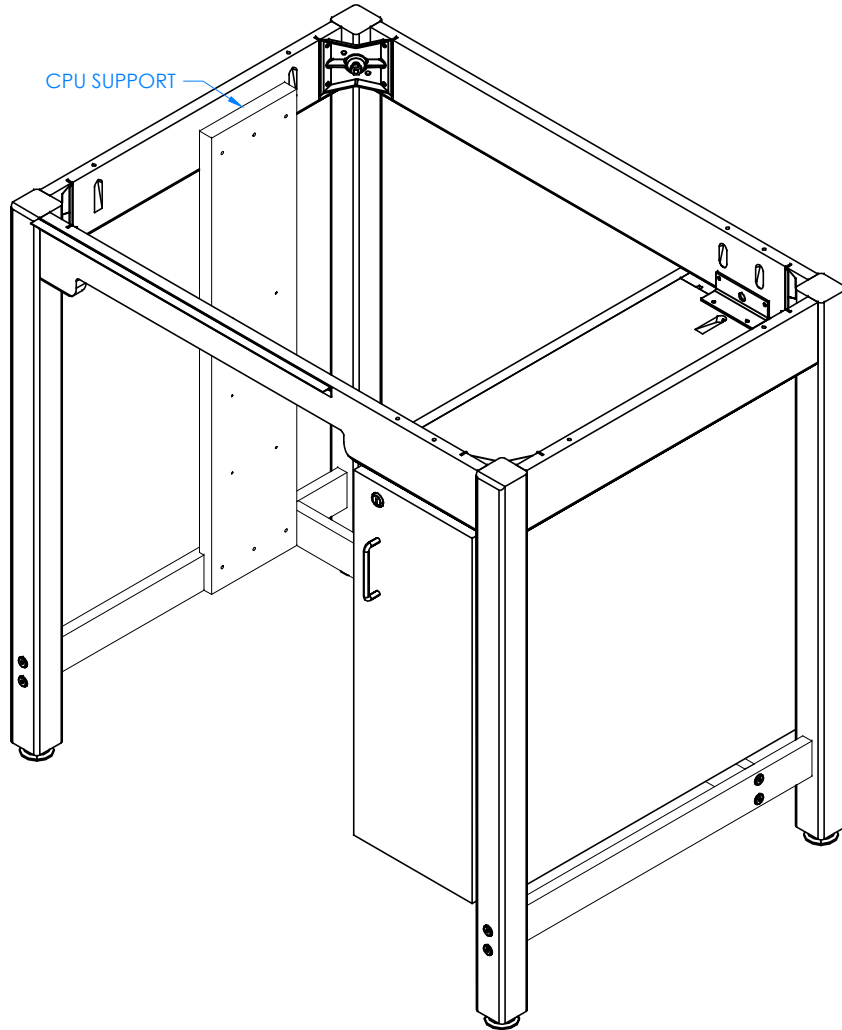
300 South Krueger Street
Suring, WI 54174
diversifiedwoodcrafts.com

TITLE:
DRAWING TABLE SYSTEM - BOARD STORAGE
ASSEMBLY INSTRUCTIONS

REV.	DESCRIPTION	DATE	NAME	ECN NO.
A	CREATED ASSEMBLY INSTRUCTIONS	1/13/15	EMK	-
REVISION LEVEL				

THIS DRAWING IS THE SOLE PROPERTY OF
DIVERSIFIED WOOD CRAFTS. IT MAY NOT
BE ALTERED OR CHANGED WITHOUT
PERMISSION

DRAWING NUMBER:	SCALE:	SHEET:	REVISION:
DT-32A, 62SA, & CDTC-72	NTS	11 OF 14	REV A



STEP 10:

- ATTACH CPU SUPPORT TO LEG BRACE AND APRON ASSEMBLY WITH HARDWARE PROVIDED.
- THE SUPPORT SHOULD LAY FLUSH AGAINST BOTTOM OF LEG BRACE AND STRETCHER.
- THERE WILL BE A SMALL GAP BETWEEN TOP OF APRON ASSEMBLY AND TOP OF SUPPORT.

NOTE:

1.

TOPS, KEYBOARD TRAY, AND KEYBOARD MOUNTS REMOVED TO SHOW CLARITY

DWN BY:	EMK	DWN DATE:	1/13/15
APR BY:		DATE APR:	
APR BY:		DATE APR:	

UNLESS OTHERWISE SPECIFIED
DIMENSION ARE IN INCHES
CABINET SQUARENESS ± .0625
FRACTIONAL VALUES ± 1/32"
- ALL VALUES ± OVERALL -



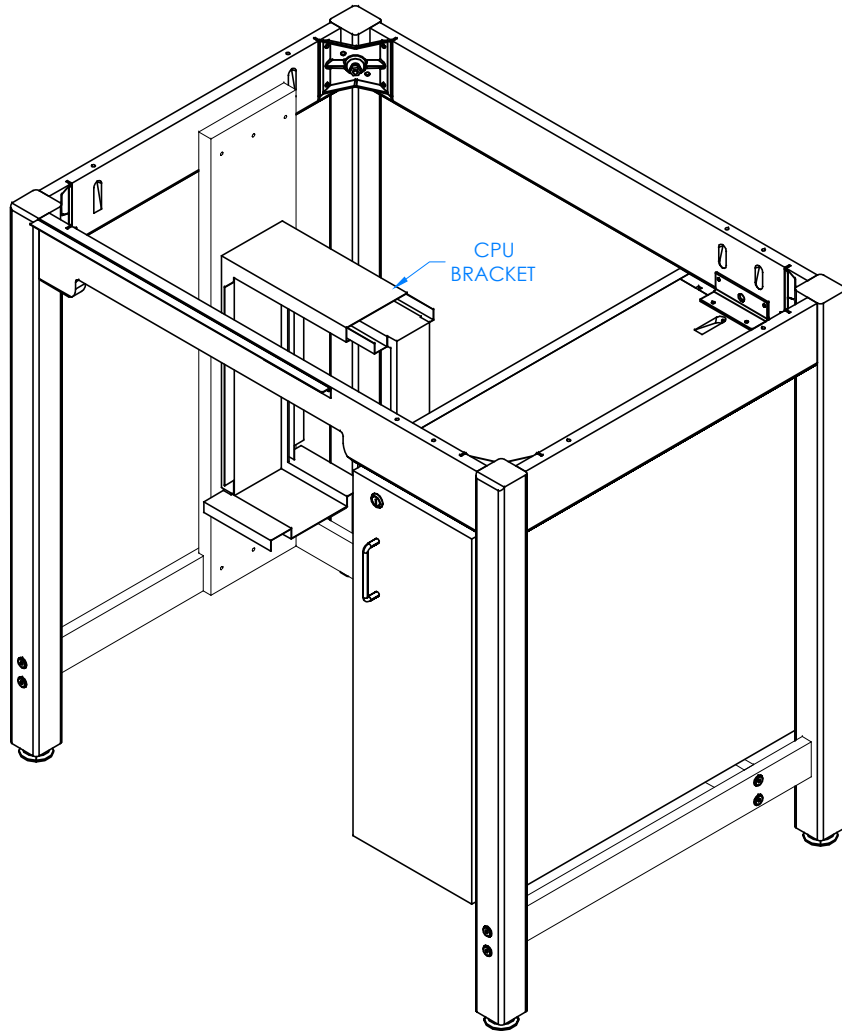
300 South Krueger Street
Suring, WI 54174
diversifiedwoodcrafts.com

TITLE:
DRAWING TABLE SYSTEM - BOARD STORAGE
ASSEMBLY INSTRUCTIONS

REV.	DESCRIPTION	DATE	NAME	ECN NO.
A	CREATED ASSEMBLY INSTRUCTIONS	1/13/15	EMK	-
REVISION LEVEL				

THIS DRAWING IS THE SOLE PROPERTY OF
DIVERSIFIED WOOD CRAFTS. IT MAY NOT
BE ALTERED OR CHANGED WITHOUT
PERMISSION

DRAWING NUMBER:	SCALE:	SHEET:	REVISION:
DT-32A, 62SA, & CDTC-72	NTS	12 OF 14	REV A



STEP 11:

- INSTALL CPU BRACKET TO CPU SUPPORT USING THE APPROPRIATE HARDWARE FOR YOUR APPLICATION.

NOTE:

- 1.

TOPS, KEYBOARD TRAY, AND KEYBOARD MOUNTS REMOVED TO SHOW CLARITY

DWN BY:	EMK	DWN DATE:	1/13/15
APR BY:		DATE APR:	
APR BY:		DATE APR:	

UNLESS OTHERWISE SPECIFIED
DIMENSION ARE IN INCHES
CABINET SQUARENESS ± .0625
FRACTIONAL VALUES ± 1/32"
- ALL VALUES ± OVERALL -



300 South Krueger Street
Suring, WI 54174
diversifiedwoodcrafts.com

TITLE:
DRAWING TABLE SYSTEM - BOARD STORAGE
ASSEMBLY INSTRUCTIONS

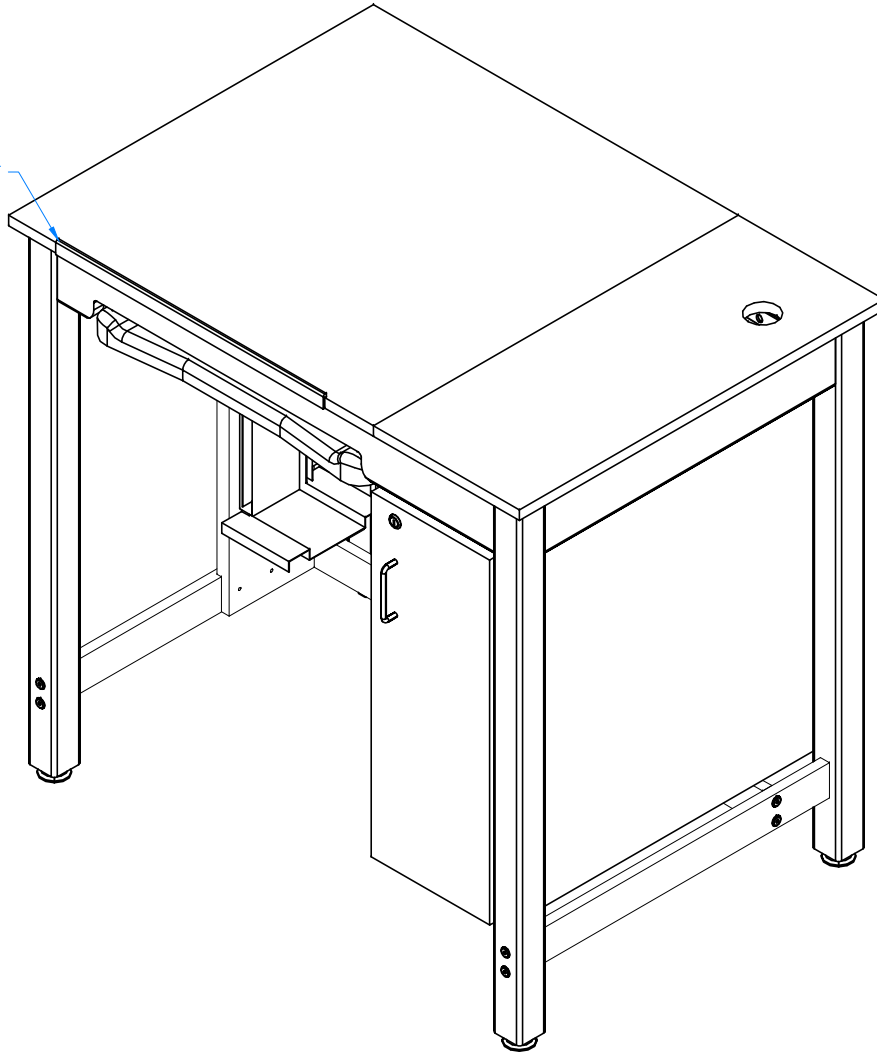
A	DESCRIPTION	DATE	NAME	ECH NO.
1	CREATED ASSEMBLY INSTRUCTIONS	1/13/15	EMK	-
REV.				

REVISION LEVEL

THIS DRAWING IS THE SOLE PROPERTY OF
DIVERSIFIED WOOD CRAFTS. IT MAY NOT
BE ALTERED OR CHANGED WITHOUT
PERMISSION

DRAWING NUMBER:	SCALE:	SHEET:	REVISION:
DT-32A, 62SA, & CDTC-72	NTS	13 OF 14	REV A

PENCIL
LEDGE



NOTE:

1.

STEP 12:

- LINE UP PENCIL LEDGE ON SIDE OF ADJUSTABLE TOP IN DESIRED LOCATION.
- PRE-DRILL HOLES IN TOP TO PREVENT SPLITTING.
- SCREW PENCIL LEDGE TO TOP USING HARDWARE PROVIDED.
- SET YOUR TABLE IN PLACE.
- ADJUST LEG LEVELERS TO LEVEL TABLE.

COMPLETE UNIT SHOWN

DWN BY:	EMK	DWN DATE:	1/13/15
APR BY:		DATE APR:	
APR BY:		DATE APR:	

UNLESS OTHERWISE SPECIFIED
DIMENSION ARE IN INCHES
CABINET SQUARENESS ± .0625
FRACTIONAL VALUES ± 1/32"
- ALL VALUES ± OVERALL -



300 South Krueger Street
Suring, WI 54174
diversifiedwoodcrafts.com

TITLE:
DRAWING TABLE SYSTEM - BOARD STORAGE
ASSEMBLY INSTRUCTIONS

REV.	DESCRIPTION	DATE	NAME	ECH NO.
A	CREATED ASSEMBLY INSTRUCTIONS	1/13/15	EMK	-
REVISION LEVEL				

THIS DRAWING IS THE SOLE PROPERTY OF
DIVERSIFIED WOOD CRAFTS. IT MAY NOT
BE ALTERED OR CHANGED WITHOUT
PERMISSION

DRAWING NUMBER:	SCALE:	SHEET:	REVISION:
DT-32A, 62SA, & CDTC-72	NTS	14 OF 14	REV A