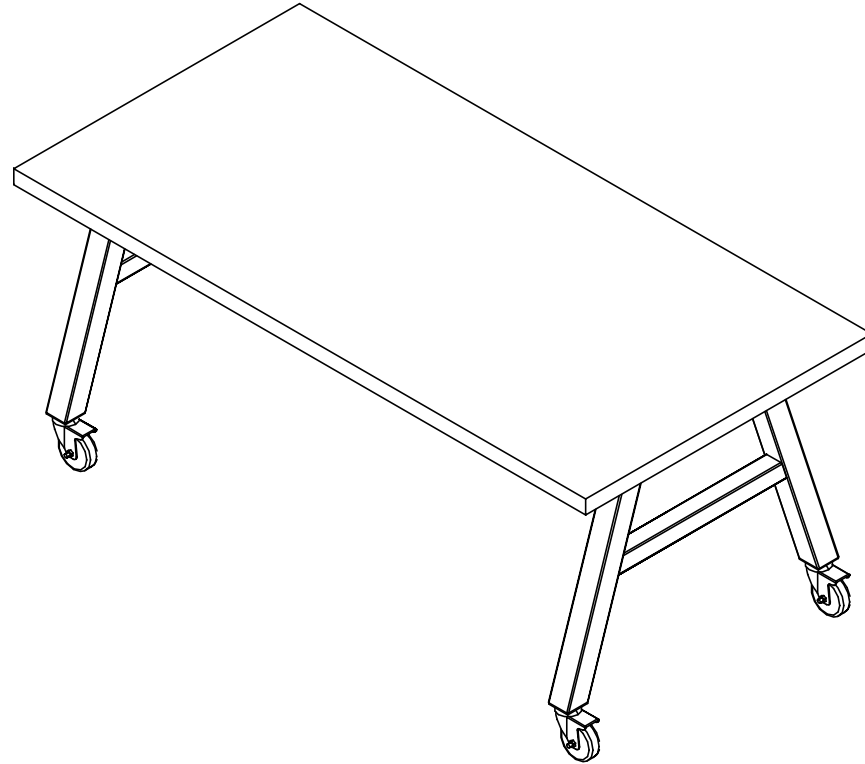


A-FRAME TABLE


AFT SERIES ASSEMBLY INSTRUCTIONS



NOTE:

1. MODEL VIEWS MAY NOT REPRESENT EXACT MODEL PURCHASED

ALL DIMENSIONS ARE IN INCHES UNLESS NOTED OTHERWISE		DWN BY:	EMK	DATE DWN:	4/1/20
CABINET SQUARENESS = ± .0625		APR BY:		DATE APR:	
FRACTIONAL VALUES = ± 1/32"		APR BY:		DATE APR:	
- ALL VALUES ± OVERALL -					
<p>CONFIDENTIAL: ALL DESIGN RIGHTS RESERVED THE INFORMATION, DATA, DESIGN, AND DRAWINGS EMBODIED IN THIS DOCUMENT AND ALL REPRODUCTIONS THEREOF ARE THE EXCLUSIVE PROPERTY OF DIVERSIFIED WOODCRAFTS, INC.</p> <p>THESE DOCUMENTS ARE SUPPLIED WITH THE UNDERSTANDING THAT THEY WILL NOT BE DISCLOSED TO THIRD PARTIES WITHOUT WRITTEN CONSENT OF DIVERSIFIED WOODCRAFTS, INC. ANY REPRODUCTION IN PART OR WHOLE WITHOUT WRITTEN CONSENT IS SUBJECT TO LEGAL ACTION.</p>					



300 South Krueger Street
Suring, WI 54174
diversifiedwoodcrafts.com

TITLE:
**A-FRAME TABLE
ASSEMBLY INSTRUCTIONS**

DRAWING NUMBER: AFT SERIES	SCALE: NTS	SHEET: 1 OF 7	REVISION: REV A
--------------------------------------	---------------	------------------	--------------------

REV.	DESCRIPTION	DATE	NAME	ECN NO.
A	CREATED DRAWING	4/1/20	EMK	-
REVISION LEVEL				

TOOLS REQUIRED

1/2" WRENCH
1/2" SOCKET AND TORQUE WRENCH - OPTIONAL
3/16" DRILL BIT

ASSEMBLY COMPONENTS

ITEMS INCLUDED	PART #	PART DESCRIPTION	QTY
TOP	VARIES	TOP (STYLE, SIZE, AND THICKNESS VARIES)	1
SCREWS - TOP	100369	SCREW, #12.00X7/8 PHIL PAN HEAD SM	VARIES
A-FRAME	VARIES	FRAME,A-FRAME TABLE (SIZE AND COLOR VARIES)	1
A-FRAME HARDWARE - BOLTS	255265	BOLT,BUTTON HEAD HEX,BLACK OXIDE,3/8"-16X3 1/2"L	8
A-FRAME HARDWARE NUTS	255266	NUT,LOCK,3/8"-16,ZINC FINISH,NYLON JAM LOCK NUT	8
CASTERS - DUETTO	255814	CASTER,ASSY,DESIGNER,HDWR,AFT	4
CASTER - SUPERIOR	255757	CASTER,ASSY,SUPERIOR,HDWR,AFT	4
GLIDE	255815	GLIDE,ASSY,HDWR,AFT	4
SILICONE	100711	SILICONE,SEALANT,CLEAR	2

NOTE:

1. COMPONENTS VARY WITH STYLE OF TABLE PURCHASED.
 - 1.1. FRAMES ARE EITHER BLACK, SILVER, ORANGE, OR WHITE.
 - 1.2. TOPS ARE EITHER EPOXY, PHENOLIC, SHOPTOP, BUTCHER BLOCK (NATURAL OR WALNUT), OR PLAM (BLACK, WROUGHT IRON, ALMOND, OR WHITE).
 - 1.3. SIZES OF TABLE: WIDTH = 48", 60", & 72", DEPTH = 36", 42", & 48", HEIGHT = 30" & 36".
2. ****XX**** INDICATES ITEMS THAT MAY NOT COME WITH UNIT (DEPENDING ON MODEL PURCHASED).

A	CREATED DRAWING	4/1/20	EMK	-
REV.	DESCRIPTION	DATE	NAME	ECN NO.
REVISION LEVEL				

ALL DIMENSIONS ARE IN INCHES UNLESS NOTED OTHERWISE	DWN BY: EMK	DATE DWN: 4/1/20
CABINET SQUARENESS = ± .0625 FRACTIONAL VALUES = ± 1/32" - ALL VALUES ± OVERALL -	APR BY:	DATE APR:
	APR BY:	DATE APR:

CONFIDENTIAL:
ALL DESIGN RIGHTS RESERVED
THE INFORMATION, DATA, DESIGN, AND DRAWINGS EMBODIED IN THIS DOCUMENT AND ALL REPRODUCTIONS THEREOF ARE THE EXCLUSIVE PROPERTY OF DIVERSIFIED WOODCRAFTS, INC.

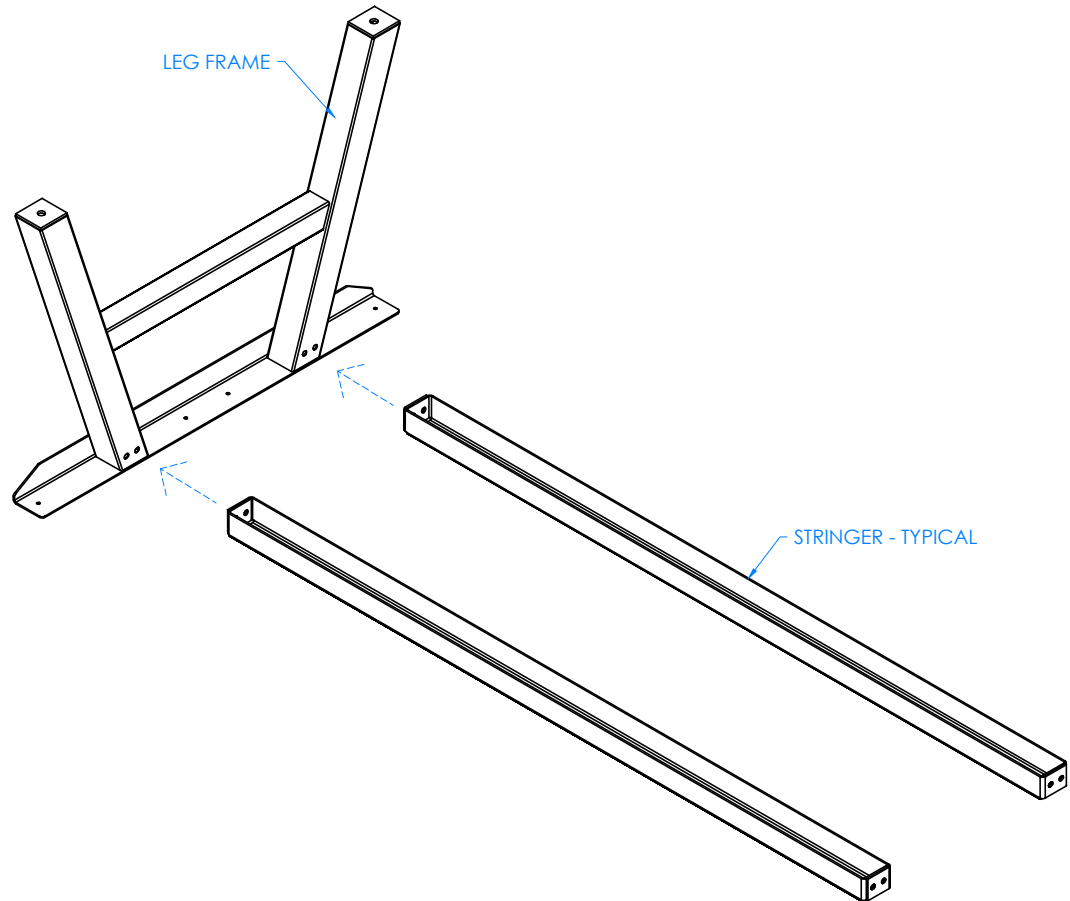
THESE DOCUMENTS ARE SUPPLIED WITH THE UNDERSTANDING THAT THEY WILL NOT BE DISCLOSED TO THIRD PARTIES WITHOUT WRITTEN CONSENT OF DIVERSIFIED WOODCRAFTS, INC. ANY REPRODUCTION IN PART OR WHOLE WITHOUT WRITTEN CONSENT IS SUBJECT TO LEGAL ACTION.



300 South Krueger Street
Suring, WI 54174
diversifiedwoodcrafts.com

TITLE:
A-FRAME TABLES
TOOLS AND ASSEMBLY COMPONENTS

DRAWING NUMBER: AFT SERIES	SCALE: NTS	SHEET: 2 OF 7	REVISION: REV A
--------------------------------------	---------------	------------------	--------------------



STEP 1:

- LAY LEG FRAME ON FLOOR.
- PLACE STRINGER BRACKET UP TO LEG FRAME.
- MAKE SURE HOLES ON STRINGERS LINE UP WITH HOLES ON LEG FRAME.
- USING A 1/2" WRENCH OR 1/2" SOCKET AND TORQUE WRENCH, ATTACH STRINGERS TO LEG ASSEMBLY WITH HARDWARE PROVIDED.
- TIGHTEN NUTS TO A MINIMUM OF 12FT LBS BUT NOT TO EXCEED 17FT LBS.
- REPEAT FOR OTHER LEG ASSEMBLY.

NOTE:

1.

ALL DIMENSIONS ARE IN INCHES UNLESS NOTED OTHERWISE
 CABINET SQUARENESS = ± .0625
 FRACTIONAL VALUES = ± 1/32"
 - ALL VALUES ± OVERALL -

DWN BY:	EMK	DATE DWN:	4/1/20
APR BY:		DATE APR:	
APR BY:		DATE APR:	

CONFIDENTIAL:
 ALL DESIGN RIGHTS RESERVED
 THE INFORMATION, DATA, DESIGN, AND DRAWINGS EMBODIED IN THIS DOCUMENT AND ALL REPRODUCTIONS THEREOF ARE THE EXCLUSIVE PROPERTY OF DIVERSIFIED WOODCRAFTS, INC.

THESE DOCUMENTS ARE SUPPLIED WITH THE UNDERSTANDING THAT THEY WILL NOT BE DISCLOSED TO THIRD PARTIES WITHOUT WRITTEN CONSENT OF DIVERSIFIED WOODCRAFTS, INC. ANY REPRODUCTION IN PART OR WHOLE WITHOUT WRITTEN CONSENT IS SUBJECT TO LEGAL ACTION.

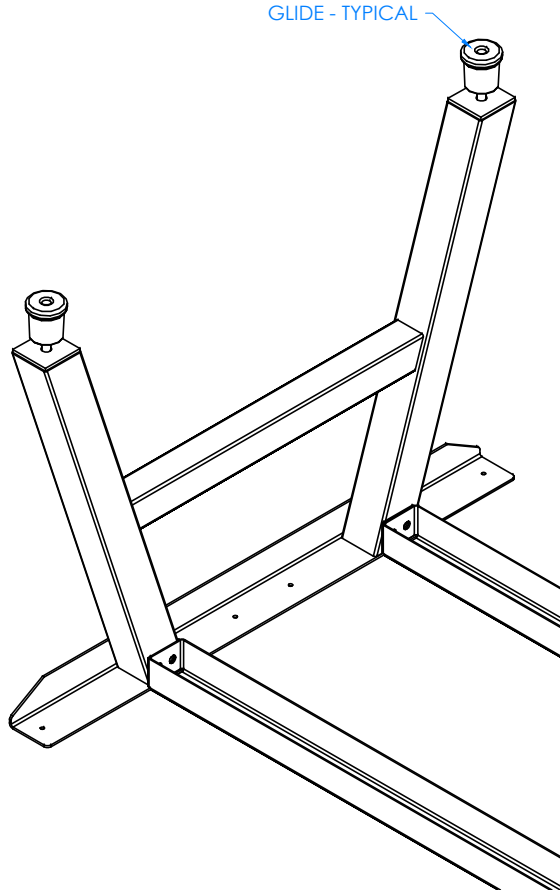
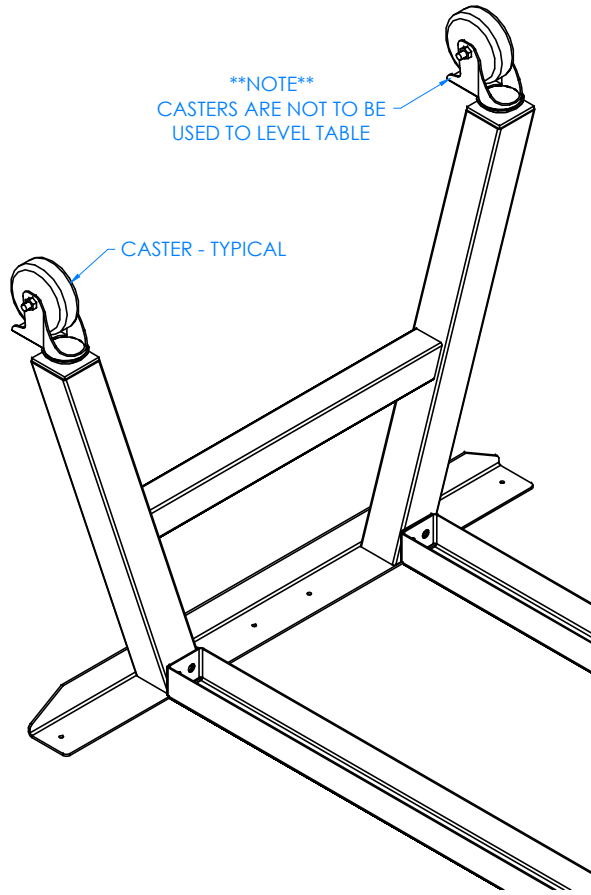


300 South Krueger Street
 Suring, WI 54174
 diversifiedwoodcrafts.com

TITLE:
 A-FRAME TABLES
 ASSEMBLY INSTRUCTIONS

REV.	DESCRIPTION	DATE	NAME	ECN NO.
A	CREATED DRAWING	4/1/20	EMK	-
REVISION LEVEL				

DRAWING NUMBER:	AFT SERIES	SCALE:	NTS	SHEET:	3 OF 7	REVISION:	REV A
-----------------	------------	--------	-----	--------	--------	-----------	-------



STEP 2:

- ATTACH EITHER CASTERS OR GLIDES TO THE BOTTOM OF EACH LEG INSERT.
- MAKE SURE CASTERS ARE THREADED ALL THE WAY AND ARE FULLY TIGHTENED.
- CASTERS ARE NOT TO BE USED TO LEVEL TABLE!

NOTE:

1.

ALL DIMENSIONS ARE IN INCHES UNLESS NOTED OTHERWISE	DWN BY: EMK	DATE DWN: 4/1/20
CABINET SQUARENESS = ± .0625	APR BY:	DATE APR:
FRACTIONAL VALUES = ± 1/32"	APR BY:	DATE APR:
- ALL VALUES ± OVERALL -		

CONFIDENTIAL:
ALL DESIGN RIGHTS RESERVED
THE INFORMATION, DATA, DESIGN, AND DRAWINGS EMBODIED IN THIS DOCUMENT AND ALL REPRODUCTIONS THEREOF ARE THE EXCLUSIVE PROPERTY OF DIVERSIFIED WOODCRAFTS, INC.

THESE DOCUMENTS ARE SUPPLIED WITH THE UNDERSTANDING THAT THEY WILL NOT BE DISCLOSED TO THIRD PARTIES WITHOUT WRITTEN CONSENT OF DIVERSIFIED WOODCRAFTS, INC. ANY REPRODUCTION IN PART OR WHOLE WITHOUT WRITTEN CONSENT IS SUBJECT TO LEGAL ACTION.



300 South Krueger Street
Suring, WI 54174
diversifiedwoodcrafts.com

TITLE:
A-FRAME TABLES
ASSEMBLY INSTRUCTIONS

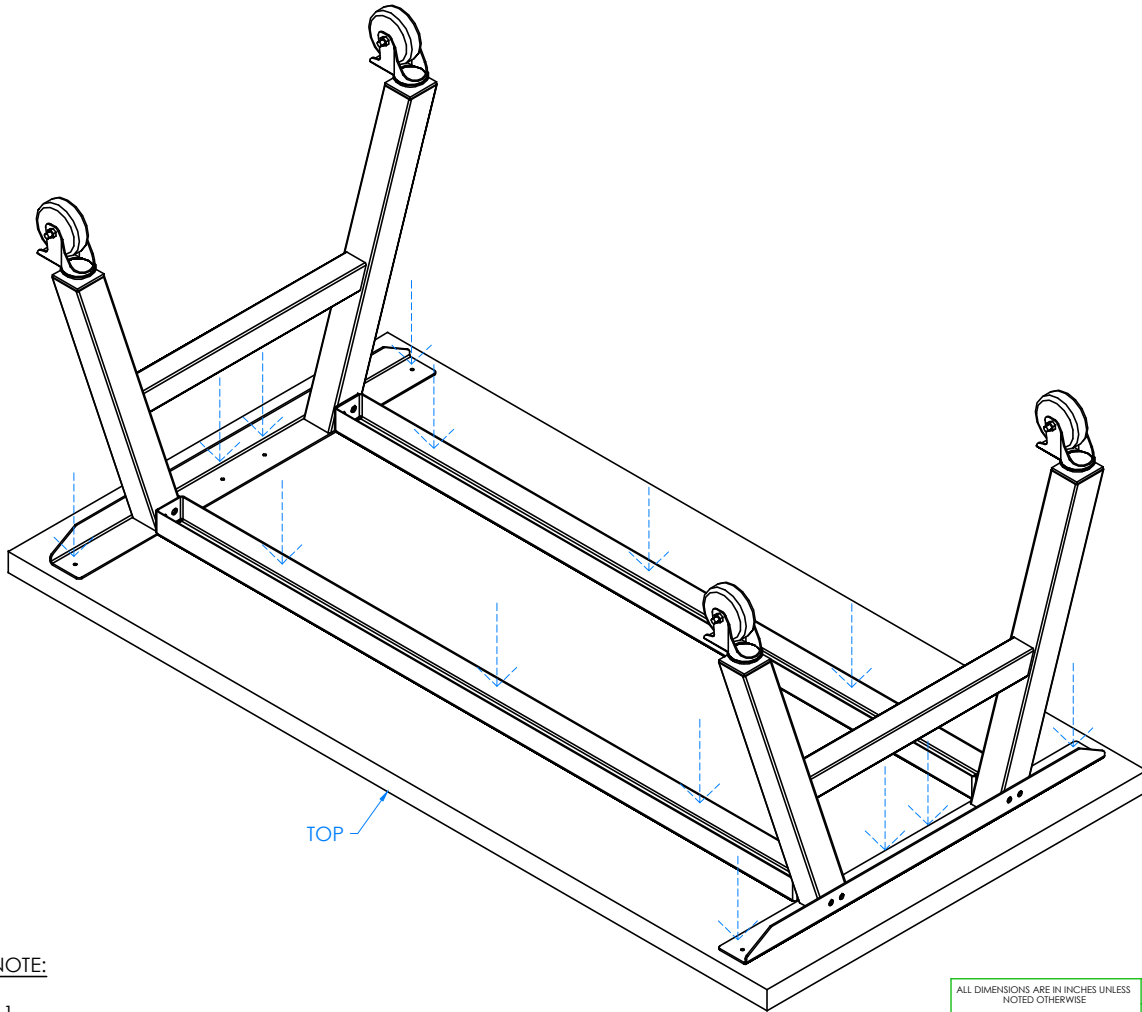
REV.	DESCRIPTION	DATE	NAME	ECN NO.
A	CREATED DRAWING	4/1/20	EMK	-

REVISION LEVEL

DRAWING NUMBER:

AFT SERIES

SCALE:	SHEET:	REVISION:
NTS	4 OF 7	REV A



STEP 3:

- WITH PROPER OVERHANG (CENTERED), ATTACH FRAME TO TOP USING HARDWARE PROVIDED.
- IF YOU HAVE AN EPOXY OR PHENOLIC TOP, APPLY SILICONE ADHESIVE TO METAL FRAME AND SET ONTO TOP.
- MAKE SURE TOP IS CENTERED ON METAL FRAME.
- APPLY PRESS FIRMLY AND LET CURE FOR 6-12 HOURS.
- IF YOU HAVE A PLAM, SHOPTOP, OR BUTCHER BLOCK TOP, PRE-DRILL HOLES $\frac{7}{8}$ " IN TOP USING A $\frac{3}{16}$ " DRILL BIT TO PREVENT CRACKING.
- PLEASE MEASURE PROPER DEPTH!

NOTE:

1.

ALL DIMENSIONS ARE IN INCHES UNLESS NOTED OTHERWISE	DWN BY: EMK	DATE DWN: 4/1/20
CABINET SQUARENESS = ± .0625	APR BY:	DATE APR:
FRACTIONAL VALUES = ± 1/32"	APR BY:	DATE APR:
- ALL VALUES ± OVERALL -		

CONFIDENTIAL:
ALL DESIGN RIGHTS RESERVED
THE INFORMATION, DATA, DESIGN, AND DRAWINGS EMBODIED IN THIS DOCUMENT AND ALL REPRODUCTIONS THEREOF ARE THE EXCLUSIVE PROPERTY OF DIVERSIFIED WOODCRAFTS, INC.

THESE DOCUMENTS ARE SUPPLIED WITH THE UNDERSTANDING THAT THEY WILL NOT BE DISCLOSED TO THIRD PARTIES WITHOUT WRITTEN CONSENT OF DIVERSIFIED WOODCRAFTS, INC. ANY REPRODUCTION IN PART OR WHOLE WITHOUT WRITTEN CONSENT IS SUBJECT TO LEGAL ACTION.

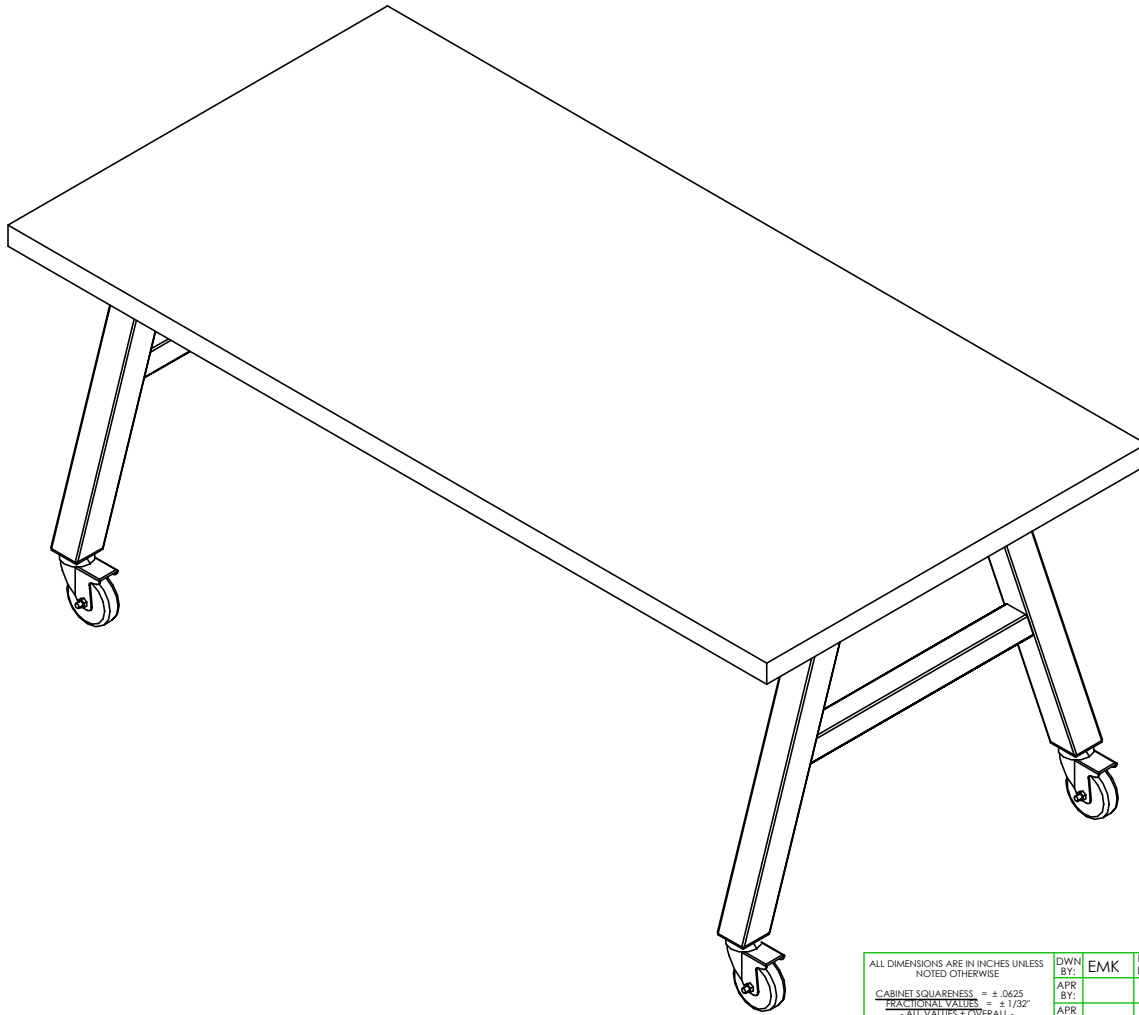


300 South Krueger Street
Suring, WI 54174
diversifiedwoodcrafts.com

TITLE:
A-FRAME TABLES
ASSEMBLY INSTRUCTIONS

REV.	DESCRIPTION	DATE	NAME	ECN NO.
A	CREATED DRAWING	4/1/20	EMK	-
REVISION LEVEL				

DRAWING NUMBER: AFT SERIES	SCALE: NTS	SHEET: 5 OF 7	REVISION: REV A
--------------------------------------	---------------	------------------	--------------------



STEP 4:

- WITH HELP FROM ANOTHER PERSON, TURN TABLE OVER ONTO CASTERS.
- PLACE TABLE IN DESIRED LOCATION.

NOTE:

1.

COMPLETE UNIT SHOWN

ALL DIMENSIONS ARE IN INCHES UNLESS NOTED OTHERWISE	DWN BY: EMK	DATE DWN: 4/1/20
CABINET SQUARENESS = ± .0625	APR BY:	DATE APR:
FRACTIONAL VALUES = ± 1/32"	APR BY:	DATE APR:
- ALL VALUES ± OVERALL -		

CONFIDENTIAL:
 ALL DESIGN RIGHTS RESERVED
 THE INFORMATION, DATA, DESIGN, AND DRAWINGS EMBODIED IN THIS DOCUMENT AND ALL REPRODUCTIONS THEREOF ARE THE EXCLUSIVE PROPERTY OF DIVERSIFIED WOODCRAFTS, INC.

THESE DOCUMENTS ARE SUPPLIED WITH THE UNDERSTANDING THAT THEY WILL NOT BE DISCLOSED TO THIRD PARTIES WITHOUT WRITTEN CONSENT OF DIVERSIFIED WOODCRAFTS, INC. ANY REPRODUCTION IN PART OR WHOLE WITHOUT WRITTEN CONSENT IS SUBJECT TO LEGAL ACTION.



300 South Krueger Street
 Suring, WI 54174
 diversifiedwoodcrafts.com

TITLE:
**A-FRAME TABLES
 ASSEMBLY INSTRUCTIONS**

REV.	DESCRIPTION	DATE	NAME	ECN NO.
A	CREATED DRAWING	4/1/20	EMK	-
REVISION LEVEL				

DRAWING NUMBER: AFT SERIES	SCALE: NTS	SHEET: 6 OF 7	REVISION: REV A
--------------------------------------	---------------	------------------	--------------------

Butcher Block (Varnished Tops) *Maintenance & Repair*

SPILLS

- Be sure any spills are cleaned up immediately. Excessive moisture and certain chemicals allowed to stand on a finished surface can cause damage.
- Clean spills or soiled areas with a damp cloth and dry thoroughly.
- Periodically, apply a coat of spray wax, paste wax, or lemon oil to finished surface. This will enhance and protect the finish and insure a moisture barrier is intact in the event the finish becomes scratched or worn.

SCRATCHES & DENTS

- Minor scratches and dents can be easily repaired by rubbing the affected area with steel wool or fine grit (#220) sandpaper. Remember, when rubbing or sanding always sand with the grain of the wood. Feather edges of repair in to the surrounding area. Remove all dust and residue and apply a coat of clear lacquer type finish or paint. Clear lacquer type finish can be purchased at most paint or hardware stores. Small cans of touch-up paint are available from your dealer or representative. Paint colors can easily be matched at most paint stores. Confine touch-up only to the area that was sanded. Remember, follow manufacturing directions on product label when refinishing.
- Major scratches and gouges where large portions of wood have been removed or damaged should be handled by a professional experienced in furniture repair with the proper tools and equipment.

MINERAL STREAKS

- Mineral Streaks—Natural Coloring of wood due to mineral deposits in the tree. Repair is not required and will add to the individuality of your table. Sizes can range up to a 1/4" wide and up to 3" in length.

HUMIDITY GUIDELINES

Your Butcher Block was kiln-dried to an initial moisture content of 7.6%. In order to maintain the beauty and integrity of your Butcher Block, it is recommended that special care be taken to keep the relative humidity and temperature within your home or warehouse in the highlighted range. This will limit the amount of expansion and contraction in your natural wood product and minimize the risk of environmental damage.

- **Environment Acclimation:** Environmental damage does not constitute defective product. Allowing your Butcher Block to acclimate to the environment for at least 72 hours prior to installation, following recommended installation practices that allow your Butcher Block to move with the conditions and controlling the environment itself are all key factors that determine the life of your product.
- **Temperature Changes:** It is important to note that as winter temperatures drop, so does relative humidity in the air. The heaters come on which further dries the air. Keeping the area humidified to an acceptable level usually becomes necessary during the winter months. The opposite is true in spring and summer as humidity rises, dehumidifiers and air conditioners become the method of control.

		RELATIVE HUMIDITY %																	
		5	10	15	20	25	30	35	40	45	50	55	60	65	70	75	80	85	90
TEMPERATURE (°F)	30	1.4	2.6	3.7	4.6	5.5	6.3	7.1	7.8	8.7	9.5	10.4	11.3	12.4	13.5	14.9	17	18.5	21
	40	1.4	2.6	3.7	4.6	5.5	6.3	7.1	7.8	8.7	9.5	10.4	11.3	12.4	13.5	14.9	17	18.5	21
	50	1.4	2.6	3.6	4.6	5.5	6.3	7.1	7.9	8.7	9.5	10.3	11.2	12.3	13.4	14.8	16	18.4	20.9
	60	1.3	2.5	3.6	4.6	5.4	6.2	7	7.8	8.6	9.4	10.2	11.1	12.1	13.3	14.6	16	18.2	20.7
	70	1.3	2.5	3.5	4.5	5.4	6.2	6.9	7.7	8.5	9.2	10.1	11	12	13.1	14.4	16	17.9	20.5
	80	1.3	2.4	3.5	4.4	5.3	6.1	6.8	7.6	8.3	9.1	9.9	10.8	11.7	12.9	14.2	16	17.7	20.2
	90	1.2	2.3	3.4	4.3	5.1	5.9	6.7	7.4	8.1	8.9	9.7	10.5	11.85	12.6	13.9	15	17.3	19.8
	100	1.2	2.3	3.3	4.2	5	5.8	6.5	7.2	7.9	8.7	9.5	10.3	11.2	12.3	13.6	15	17	19.5

Example: If conditions in a warehouse are 60% relative humidity at 50 degrees. Fahrenheit Dry wood will pick up moisture until 11.2% is reached, regardless of wood species and initial moisture content.