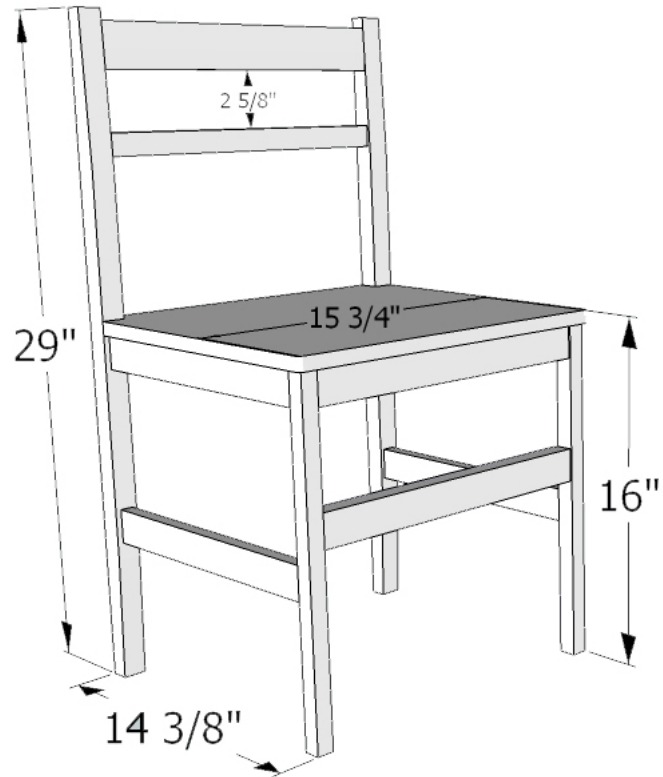


WD81801/WD81802
Birch Hardwood Chairs - 18" H
29" H x 15 3/4" W x 14 3/8" D



GREENGUARD® Gold certified. 18" Seat Height Birch Hardwood chair with our Tuff-Gloss™ finish. Mortise and tenon joinery with wooden braces screwed in place underneath seat.

WD81801-Single Pack
WD81802-Pack of 2

- GREENGUARD® Gold certified
- No MDF, hardboard or particleboard
- Fully rounded and sanded corners for absolute maximum safety
- CPSIA compliant - No lead or phthalates
- Meet or exceed CARB II and CHPS requirements
- Exclusive Tuff-Gloss™ finish
- 10 Year Warranty

Wood Designs' solid hardwood chairs are constructed using mortise and tenon joining methods for exceptional strength & durability. Curved back legs help prevent tipping and smooth rounded corners bring added safety to any classroom. Shipped fully assembled. Tuff-Gloss™ finish. Imported.

Dimensions

- Floor to Top: 29"H
- Floor to Seat: 16"H
- Seat Width: 15 3/4"
- Seat Depth: 14 3/8"
- Rail Spacing: 2 5/8"