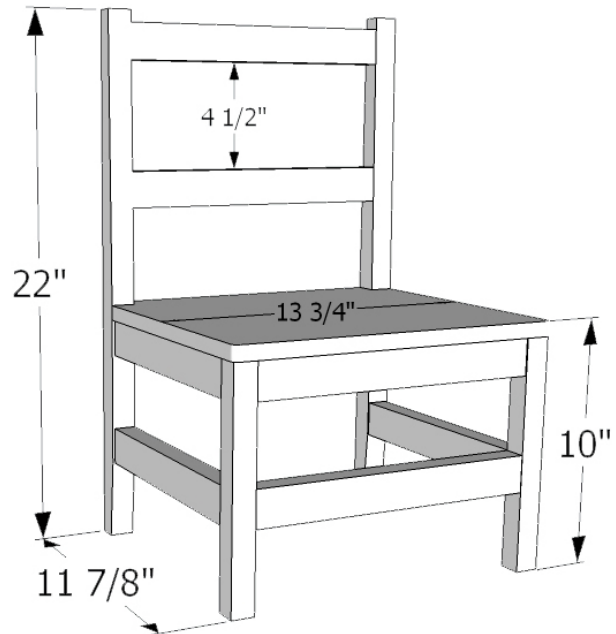


WD81001/WD81002
Birch Hardwood Chairs - 10"H
22"H x 13 3/4"W x 11 7/8"D



GREENGUARD® Gold certified. 10" Seat Height Birch Hardwood chair with our Tuff-Gloss™ finish. Mortise and tenon joinery with wooden braces screwed in place underneath seat.

- GREENGUARD® Gold certified
- No MDF, hardboard or particleboard
- Fully rounded and sanded corners for absolute maximum safety
- CPSIA compliant - No lead or phthalates
- Meet or exceed CARB II and CHPS requirements
- Exclusive Tuff-Gloss™ finish
- 10 Year Warranty

WD81001-Single Pack
WD81002-Pack of 2

Wood Designs' solid hardwood chairs are constructed using mortise and tenon joining methods for exceptional strength & durability. Curved back legs help prevent tipping and smooth rounded corners bring added safety to any classroom. Shipped fully assembled. Tuff-Gloss™ finish. Imported.

Dimensions

- Floor to Top: 22"H
- Floor to Seat: 10"H
- Seat Width: 13 3/4"
- Seat Depth: 11 7/8"
- Rail Spacing: 4 1/2"