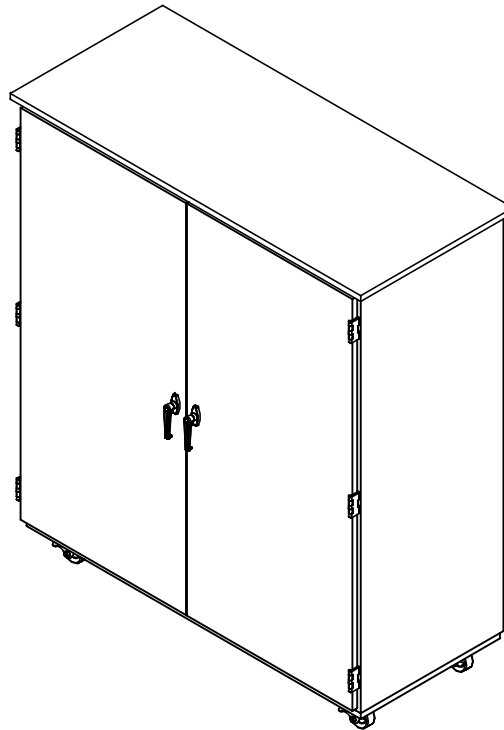


LARGE MICROSCOPE STORAGE CABINET

4711 (OAK OR MAPLE)
ASSEMBLY INSTRUCTIONS



NOTE:

1. MODEL VIEWS MAY NOT REPRESENT EXACT MODEL PURCHASED

DWN BY:	EMK	DWN DATE:	10/31/17
APR BY:		DATE APR:	
APR BY:		DATE APR:	

UNLESS OTHERWISE SPECIFIED
DIMENSION ARE IN INCHES

CABINET SQUARENESS ± .0625
FRACTIONAL VALUES ± 1/32"
- ALL VALUES ± OVERALL -



300 South Krueger Street
Suring, WI 54174
diversifiedwoodcrafts.com

TITLE:
LARGE MICROSCOPE STORAGE CABINET
ASSEMBLY INSTRUCTIONS

A	CREATED DRAWING	10/31/17	EMK	-
REV.	DESCRIPTION	DATE	NAME	ECN NO.

REVISION LEVEL

THIS DRAWING IS THE SOLE PROPERTY OF
DIVERSIFIED WOOD CRAFTS. IT MAY NOT
BE ALTERED OR CHANGED WITHOUT
PERMISSION

DRAWING NUMBER:

4711

SCALE:

NTS

SHEET:

1 OF 3

REVISION:

REV A

TOOLS REQUIRED

SCREW DRIVER

ASSEMBLY COMPONENTS

ITEMS INCLUDED	PART #	PART DESCRIPTION	QTY
MICROSCOPE DIVIDERS	100995	MICROSCOPE DIVIDER,ZINC	12

NOTE:

1.

DWN BY:	EMK	DWN DATE:	10/31/17
APR BY:		DATE APR:	
APR BY:		DATE APR:	

UNLESS OTHERWISE SPECIFIED
DIMENSION ARE IN INCHES

CABINET SQUARENESS ± .0625
FRACTIONAL VALUES ± 1/32"
- ALL VALUES ± OVERALL -



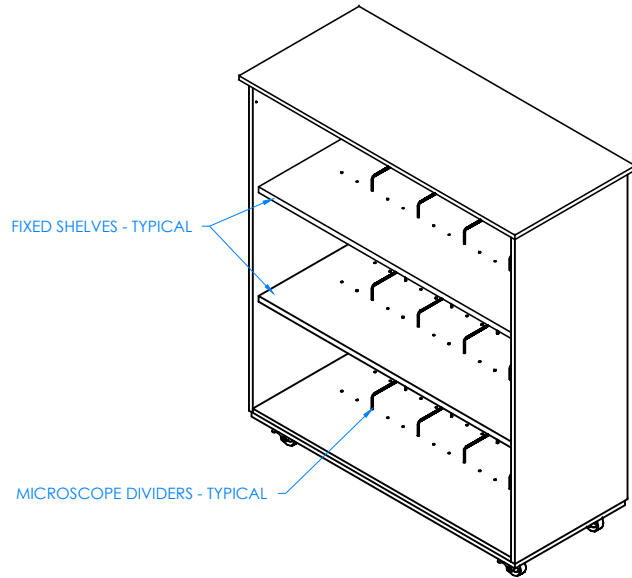
300 South Krueger Street
Suring, WI 54174
diversifiedwoodcrafts.com

TITLE:
**LARGE MICROSCOPE STORAGE CABINET
TOOLS AND ASSEMBLY COMPONENTS**

REV.	DESCRIPTION	DATE	NAME	ECN NO.
A	CREATED DRAWING	10/31/17	EMK	-

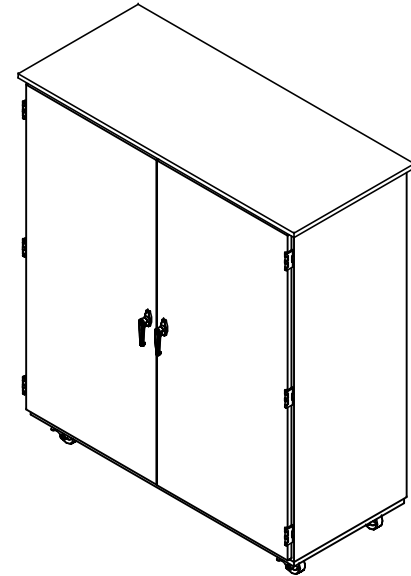
THIS DRAWING IS THE SOLE PROPERTY OF
DIVERSIFIED WOOD CRAFTS. IT MAY NOT
BE ALTERED OR CHANGED WITHOUT
PERMISSION

DRAWING NUMBER:	4711	SCALE:	NTS	SHEET:	2 OF 3	REVISION:	REV A
-----------------	------	--------	-----	--------	--------	-----------	-------



DOORS REMOVED TO SHOW CLARITY

STEP 1:
ATTACH MICROSCOPE DIVIDERS TO SHELVES IN DESIRED LOCATION.



COMPLETE UNIT SHOWN

STEP 2:
SET CABINET INTO DESIRED LOCATION. PLACE MICROSCOPES INTO CABINET (NOT SHOWN).

NOTE:

- 1.

DWN BY:	EMK	DWN DATE:	10/31/17
APR BY:		DATE APR:	
APR BY:		DATE APR:	

UNLESS OTHERWISE SPECIFIED DIMENSION ARE IN INCHES

CABINET SQUARENESS ± .0625
FRACTIONAL VALUES ± 1/32"
- ALL VALUES ± OVERALL -



300 South Krueger Street
Suring, WI 54174
diversifiedwoodcrafts.com

TITLE:
LARGE MICROSCOPE STORAGE CABINET
ASSEMBLY INSTRUCTIONS

REV.	DESCRIPTION	DATE	NAME	ECN NO.
A	CREATED DRAWING	10/31/17	EMK	-
REVISION LEVEL				

THIS DRAWING IS THE SOLE PROPERTY OF DIVERSIFIED WOOD CRAFTS. IT MAY NOT BE ALTERED OR CHANGED WITHOUT PERMISSION

DRAWING NUMBER:

4711

SCALE:	SHEET:	REVISION:
NTS	3 OF 3	REV A