



STORAGE CABINET, 42" High Models 1842 & 2442 Counter-Height

Tennsco Corp., Dickson, TN 37056-1888 • (615) 446-8000

RETAIN INSTRUCTIONS FOR FUTURE REFERENCE!

Congratulations on your purchase of a Counter High Storage Cabinet from Tennsco! Our cabinets provide abundant storage space; the Model 1842 is 36" w x 18" d x 42" tall, while the Model 2442 is 36" w x 24" d x 42" tall. Our cabinets are rigidly constructed to give you years of dependable and efficient service. Nylon lock-bar guides ensure smooth, quiet operation. A locking handle with two keys provides a three-point locking system for added security. Sturdy adjustable shelves provide exceptional strength — up to 150 lbs. per shelf (evenly distributed) on the 18" deep cabinet and up to 200 lbs. per shelf (evenly distributed) on the 24" deep cabinet. And our baked-on powder finish adds even more durability.



GENERAL SAFETY INFORMATION: Some parts may have sharp edges. CARE must be taken when handling various pieces to avoid injury. For safety, wear a pair of work gloves when assembling or performing any maintenance on your cabinet.

LIMITED WARRANTY

Tennsco warrants goods purchased hereunder to be free of defects in materials and workmanship for a period of one (1) year from the date of shipment, hereunder. This warranty shall not apply in the event goods are damaged as a result of misuse, abuse, neglect, accident, improper application, modification or repair by persons not authorized by Seller, where goods are damaged during shipment, or where the date stamps on the goods have been defaced, modified or removed. UNLESS CONSIDERED UNENFORCEABLE OR UNLAWFUL UNDER APPLICABLE LAW:

- a. ALL IMPLIED WARRANTIES, INCLUDING BUT NOT LIMITED TO WARRANTIES OR MERCHANTABILITY AND FITNESS FOR A PARTICULAR PURPOSE ARE HEREBY EXCLUDED:
- b. BUYERS REMEDY, IF ANY, FOR ANY DEFECTIVE GOODS SHALL BE LIMITED TO A REFUND BY SELLER OR REPLACEMENT OF THE GOODS AT SELLER'S OPTION, AND SHALL IN NO EVENT INCLUDE DAMAGES OF ANY KIND, WHETHER INCIDENTAL, CONSEQUENTIAL OR OTHERWISE.

NO GOODS ACCEPTED FOR RETURN WITHOUT PRIOR APPROVAL. Seller shall have the right to inspect any goods claimed to be defective at Buyers place of business or require Buyer to return the goods to Seller for inspection on Seller's premises. Transportation charges covering returned goods will be borne by Seller only if such goods are proven to be defective, are covered by this warranty and are returned within the warranty period stated above.

Mailing Address: **TENNSCO CORP.**
P.O. Box 1888
Dickson, TN 37056-1888
(615) 446-8000 (800) 251-8184

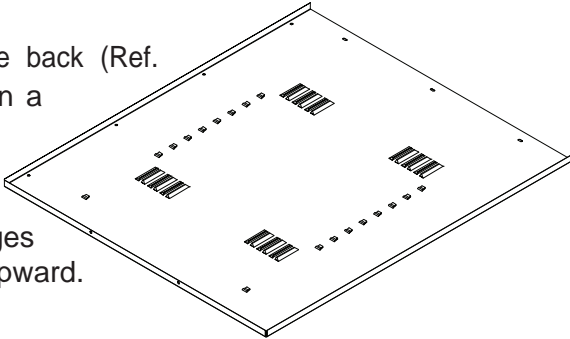
Shipping Address: **TENNSCO CORP.**
201 Tennsco Drive
Dickson, TN 37055
(615) 446-8000 (800) 251-8184

INSTALLATION OF 42"H STORAGE CABINET

Tools needed: An $1\frac{1}{32}$ " nut driver (provided free with unit); a hammer; and a flathead screwdriver.
Two people recommended for installation. Approximate assembly time: 15 to 25 minutes.

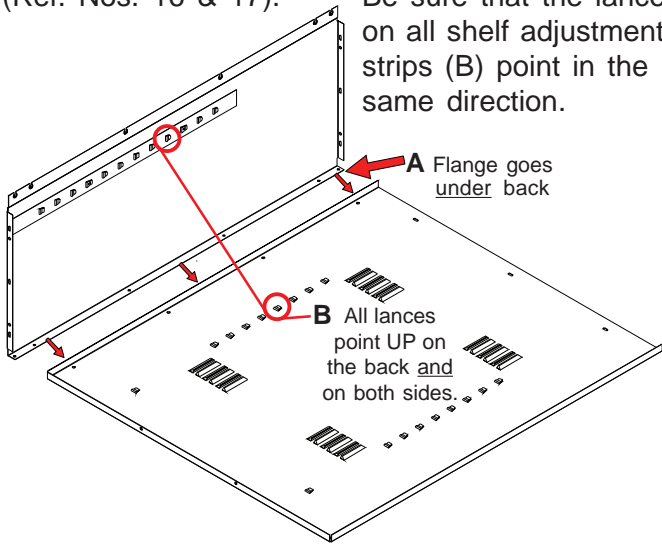
1. The reference numbers used throughout this sheet refer to the illustration on the back cover. This is to help you to identify the various parts as they are mentioned.

2. Place the back (Ref. No. 1) on a padded surface with the flanges facing upward.



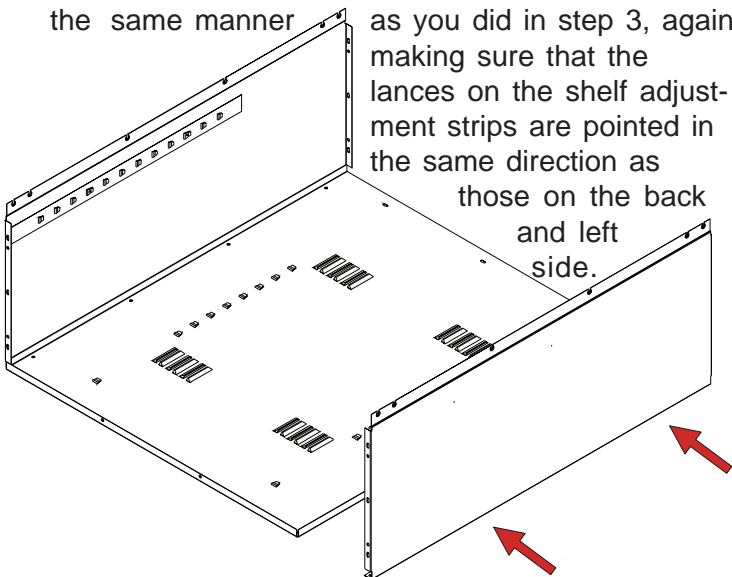
3. Attach the left side (Ref. No. 2) to the back by placing flange (A) around the back and bolting the back and side together with four bolts and nuts (Ref. Nos. 16 & 17).

Be sure that the lances on all shelf adjustment strips (B) point in the same direction.

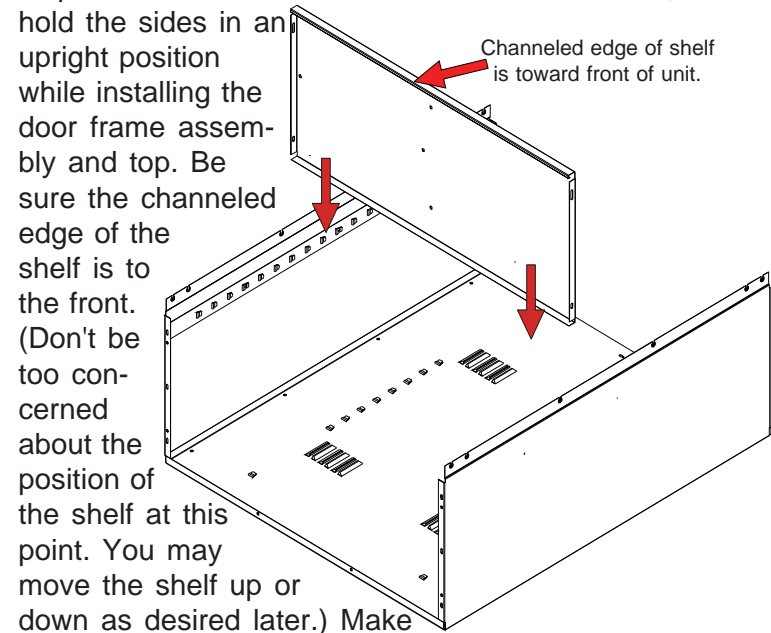


4. Attach the right side (Ref. No. 3) to the back in the same manner

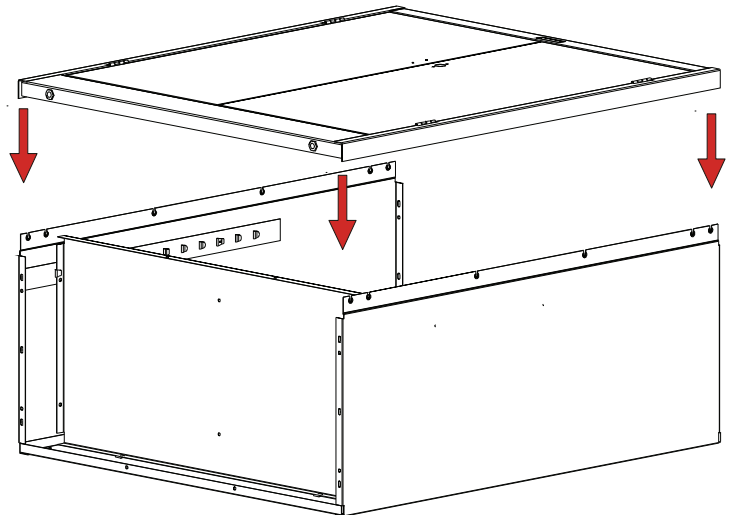
as you did in step 3, again making sure that the lances on the shelf adjustment strips are pointed in the same direction as those on the back and left side.



5. Place the shelf (Ref. No. 5) into the shelf adjusting strips somewhere near the center of the cabinet, to hold the sides in an upright position while installing the door frame assembly and top. Be sure the channeled edge of the shelf is to the front. (Don't be too concerned about the position of the shelf at this point. You may move the shelf up or down as desired later.) Make sure that the rear and sides of the shelf are well seated into all four lances.

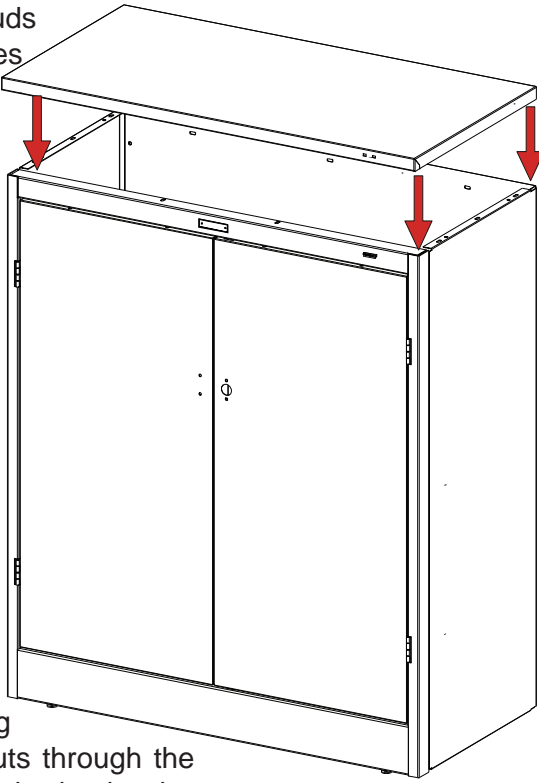


NOTE: You may use a flathead screwdriver to *slightly* pry the lances outward if they are too tight to insert the shelf edges into.

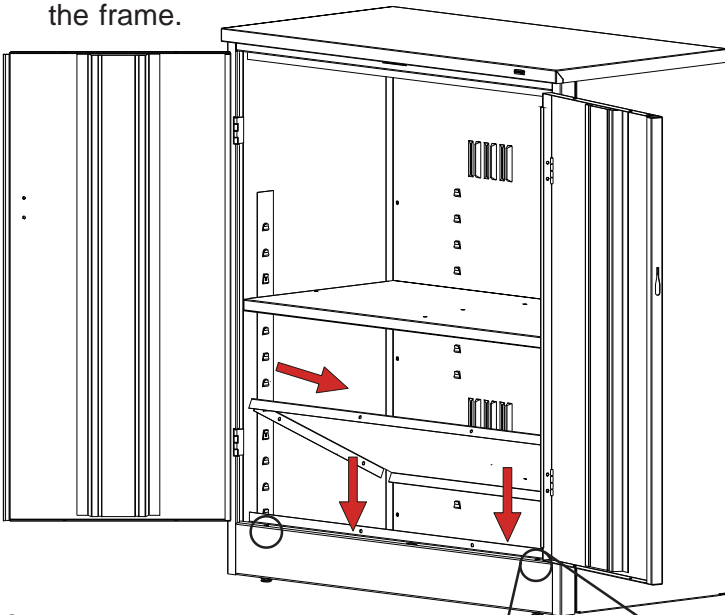


6. Attach the door frame assembly (Ref. No. 6) to the cabinet body by placing it over the sides. Align the weld studs with the slots in the left and right sides, and attach using four nuts on each side.

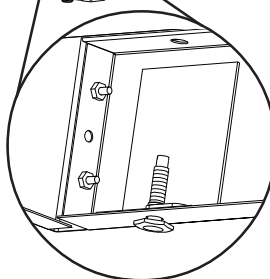
7. Set the unit upright and attach the top by inserting the weld-studs into the holes provided on the left and right sides. The flange should fit over the outside of the rear of the cabinet, and the offset should be toward the front. Bolt together by attaching nuts to the weld studs and inserting bolts and nuts through the holes along the back edge.



8. Open the doors and place the bottom (Ref. No. 4) in the lowest notch of the shelf adjusting strips on the sides and back. The flange with the two holes must face the front, and fits over the base plate of the frame.



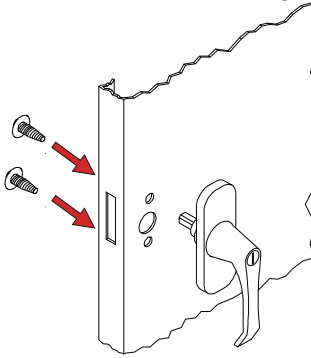
9. Cabinet must be level for doors to open and close properly. Insert a flathead screwdriver into the two leveling holes and turn the screws until the cabinet is level.



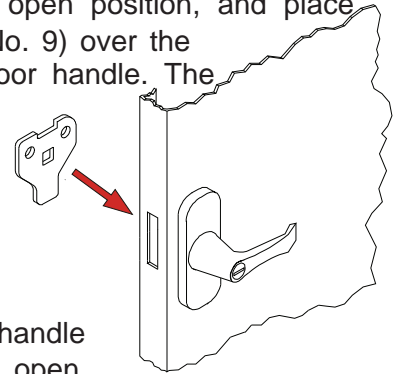
10. If center shelf is not at desired level, move up or down as needed.

Handle/Locking System Installation Instructions

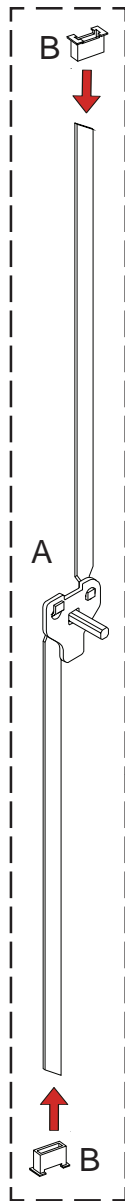
1. Place the locking handle (Ref. No. 8) on the right hand door and fasten with two $1\frac{1}{32}$ " hex head bolts and lockwashers (Ref. No. 14). Tighten with the provided nut driver.



2. Turn the handle to the open position, and place the locking cam (Ref. No. 9) over the square shank of the door handle. The latch must be facing downward as shown.

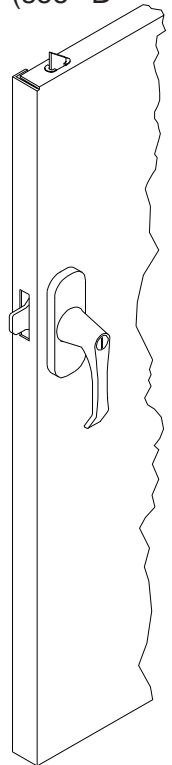


3. With the handle still in the open position, hook the locking bars (Ref. No. 10) to the locking cam (see "A" at left). Then, hold the lock bars in position while sliding the nylon lock bar guide inserts (Ref. No. 11) over the lock bar ends and through the door slots (see "B" at left).

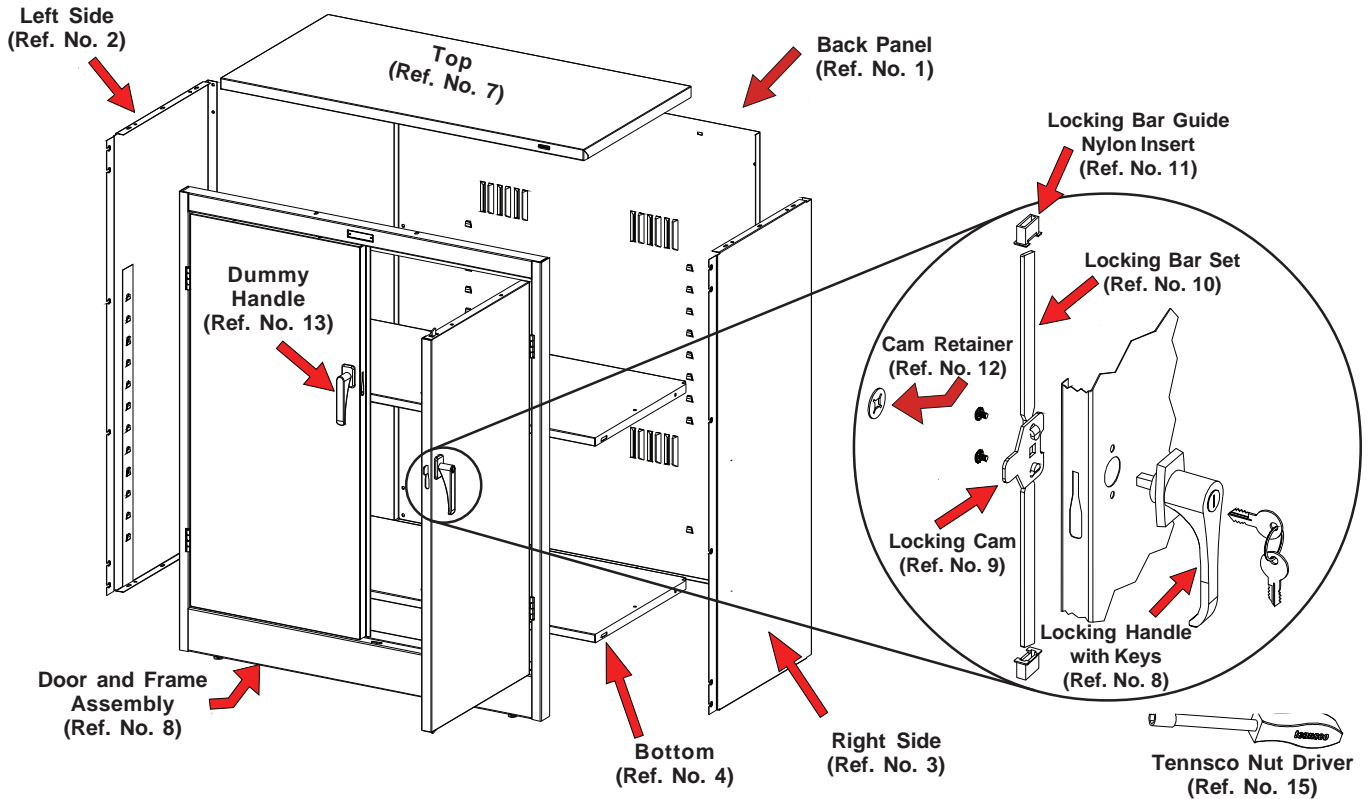


4. Place the locking cam retainer (Ref. No. 12) over the square shank of the door handle. Tap on the edges of the cam retainer with a hammer until retainer sits firmly against the locking cam.

5. Attach the "dummy" handle (Ref. No. 13) to the left door $1\frac{1}{32}$ " hex-head bolts and lockwashers (Ref. No. 17).



REPLACEMENT PARTS



REF. NO.	DESCRIPTION	1842 (18" d cabinet)		2442 (24" d cabinet)	
		QTY.	PART NO.	QTY.	PART NO.
1	Back panel	1	842BA	2	842BA
2	Left side	1	218LS	1	224LS
3	Right side	1	218RS	1	224RS
4	Bottom	1	043BO	1	044BO
5	Shelf	2	301	2	302
6	Door and frame assembly	1	2442FA	1	2442FA
7	Top	1	978CT	1	974CT
8	Locking Handle with keys & hardware	1	043LH	1	043LH
9	Locking cam*	1	944LC	1	944LC
10	Locking bar set	1	978LB	1	978LB
11	Locking bar guide insert (nylon)*	2	944GI	2	944GI
12	Cam retainer*	1	944CR	1	944CR
13	Dummy Handle	1	043DH	1	043DH
14	11/32 hex head bolt w/lockwasher* (not shown above)	4	**	4	**
15	Tensco nut driver	1	TOOL-2	1	TOOL-2
16	#8-32 x 3/8" bolts* (not shown above)	15	**	15	**
17	#8-32 nuts* (not shown above)	31	**	31	**

*Included in Ref. No. 8, locking handle with keys and hardware (Part No. 043LH). **Available Locally

Tensco makes every effort to ensure that all units ship complete with all parts and arrive undamaged. However, should your unit contain missing or damaged parts, replacements may be obtained directly from us. To obtain proper replacement parts follow the instructions below, or fill out the form at www.tensco.com/partsorder.html.

TO OBTAIN PROPER REPLACEMENT PARTS, PLEASE PROVIDE THE FOLLOWING INFORMATION:
 (This information may be sent to us online using the form at www.tensco.com/replacement.cfm)

- Model Number (1842 or 2442)
- Description of part(s) needed and part number(s) as shown in Parts List (above)
- Color (i.e. Champagne, Medium Grey, etc.)
- Was item missing, or was it damaged?
- Purchase Date
- Your company name
- Contact person's name
- Who the product was purchased from
- Your shipping address

Tensco Corp., P.O. Box 1888, Dickson, TN 37056-1888 Customer Service: (866) 446-8686 Fax: (866) 445-7260
 If requesting parts by telephone, ask for customer service and have as much of the above information ready as possible.